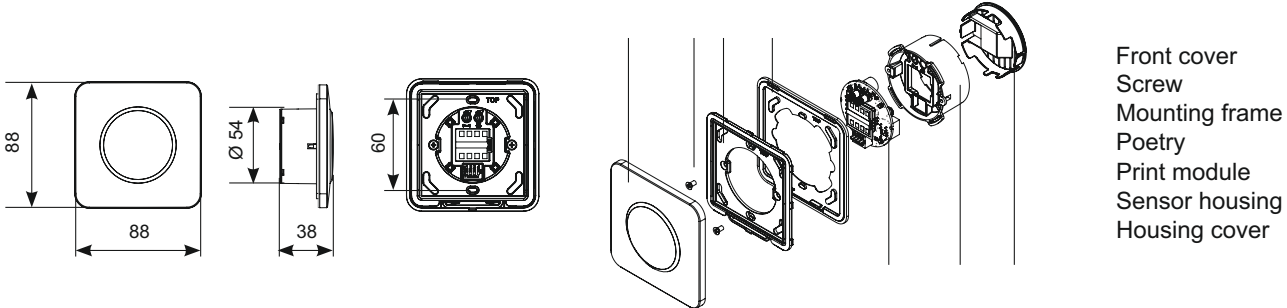


CleanSwitch

Contactless switch

Translation of the original instructions

General

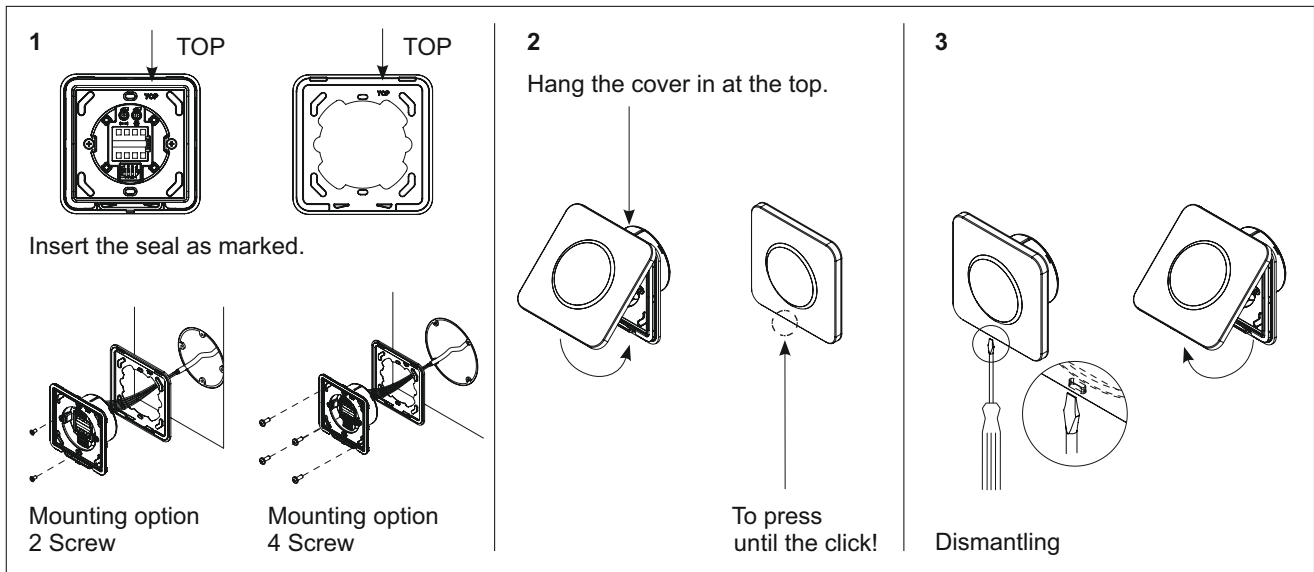


1 Safety instructions

The device may only be installed and commissioned by trained specialist personnel. Interventions and repairs on the device may only be carried out by the manufacturer.

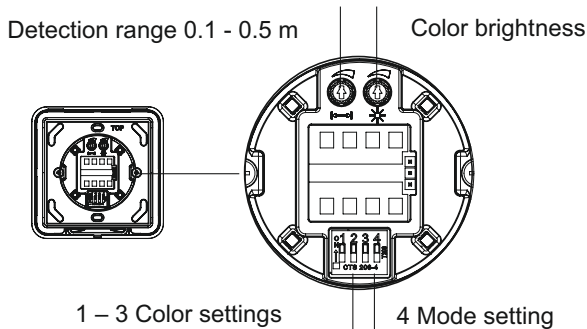
! The device may only be operated with protective extra-low voltage with safe galvanic isolation. Always consider the safety functions of your application as a whole and never just refer to a single part of the system. The risk assessment and the correct installation of the sensor and the system are the responsibility of the installer. In general, avoid contact with electronic components.

2 Assembly



3 Configuration

Factory settings



DIP-Switches

1-3 Optical feedback

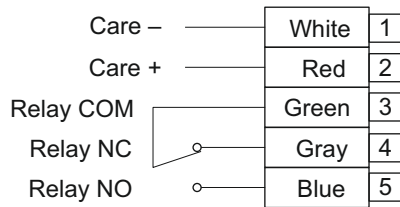
ON	1	2	3	4	Green/red
ON	1	2	3	4	Red/Red
ON	1	2	3	4	Red/Green
ON	1	2	3	4	Blue/blue
ON	1	2	3	4	Blue/green
ON	1	2	3	4	-/Green
ON	1	2	3	4	Green/green
ON	1	2	3	4	-/Blue

4 ON Toggle-Modus

4 OFF Pulse-Modus

ON	1	2	3	4	ON Toggle-Modus
ON	1	2	3	4	OFF Pulse-Modus

4 Electrical connections



Stripping length at least 8.5 mm (solid wire or flexible wire)



AWG 24 – 16 / 0.2 – 1.5 mm

- Insert > solid wire
- Flexible wire > Press the button and plug it in

5 Technical specifications

Technology	Microwave - doppler radar
Frequency	24.125 GHz
Detection range	0.1 – 0.5 m
Detection mode	Pulse mode: The sensor detects while the hand is moving Toggle mode: first movement on / second movement off
Acquisition speed	Min: 5 Hz oder ± 3 cm/s Max: 200 Hz oder $\pm 1,2$ m/s
Supply voltage	12-24 VAC $\pm 10\%$ (50-60 Hz) 12-24 VDC + 20 %/- 10 %
Max. Input	< 1 W (with visual feedback)
Exit	Relay with changeover contact (potential-free) Max. Switching voltage / switching current (DC): 1 A up to 30 V, 0.5 A up to 60 V Max. Switching voltage / switching current (AC): 1 A up to 50 V Max. Switching capacity: 30 W (DC) / 50 VA (AC)
Exit hold time	«Relay hold time»: 0.3 s «LED hold time»: 2 s
Storage / operating temperature	- 20 bis + 60 °C
Protection class	Ip65 (fixed with 4 screws, smooth surface)
Dimension (mm)	88 x 88 x 38 mm (L x B x T)
Weight	55 g
Materials	ASA/PC

Note: According to the VAH list, CleanSwitch is resistant to surface disinfectants in hospitals.

6 EU declaration of conformity

See Appendix

7 WEEE



Devices with this symbol must be treated separately when they are disposed of. This must be in accordance with the Laws of the respective countries for environmentally friendly disposal, processing and recycling of electrical and electronic Devices.

8 FCC Approval



This device complies with Part 15 of the FCC rules and RSS-210 of Industry Canada.

Warning: Changes or modifications to this device could void your FCC authorization, operate this device.

9 Contact

BBC Bircher Smart Access, BBC Bircher AG, Wiesengasse 20, CH-8222 Beringen, www.bircher.com

Made in China / Designed in Switzerland