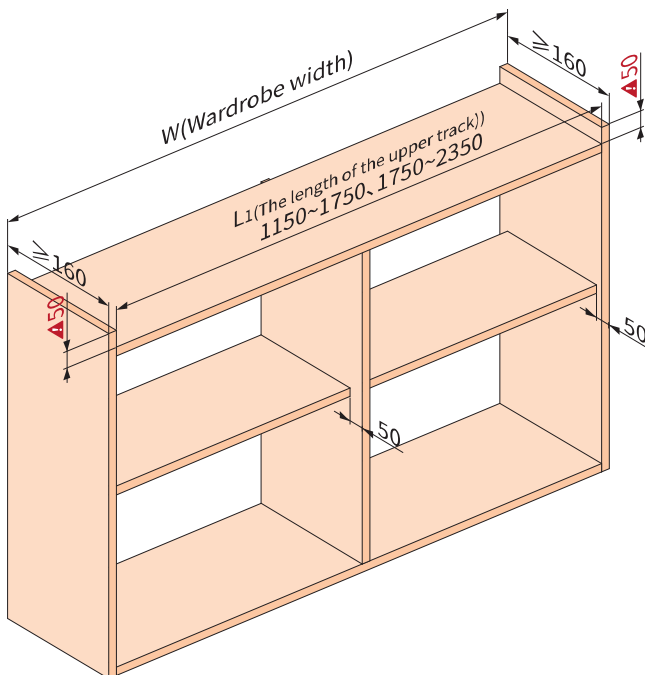
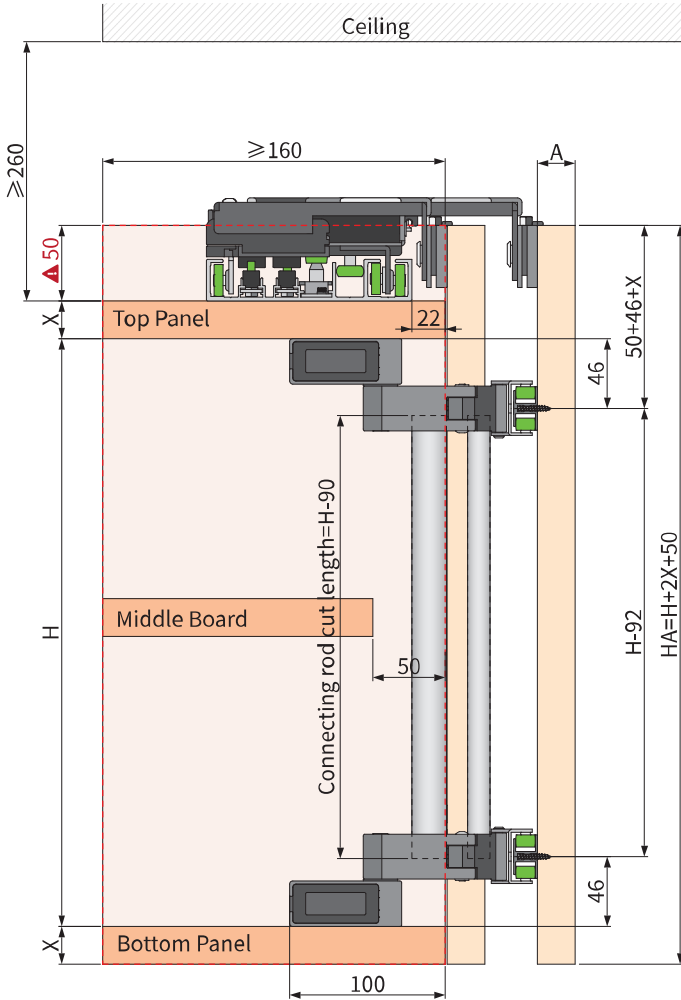


Installation parameters

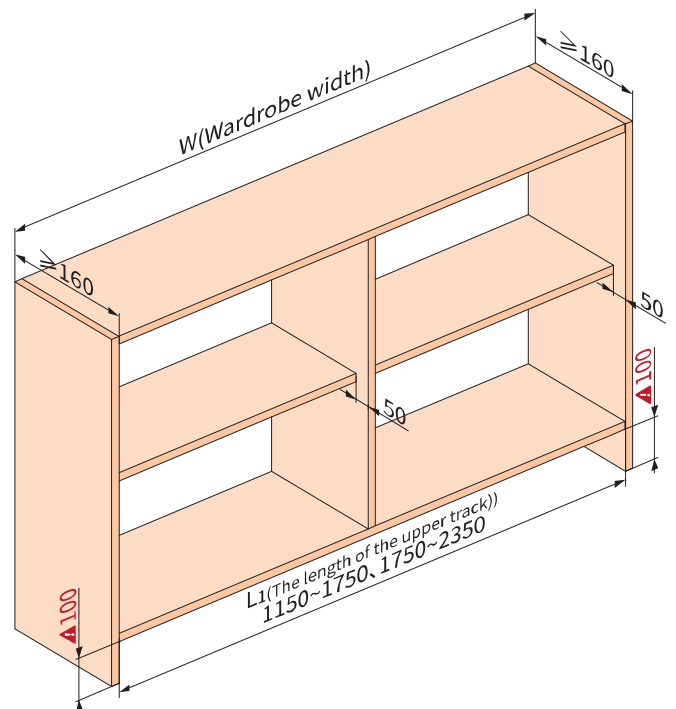
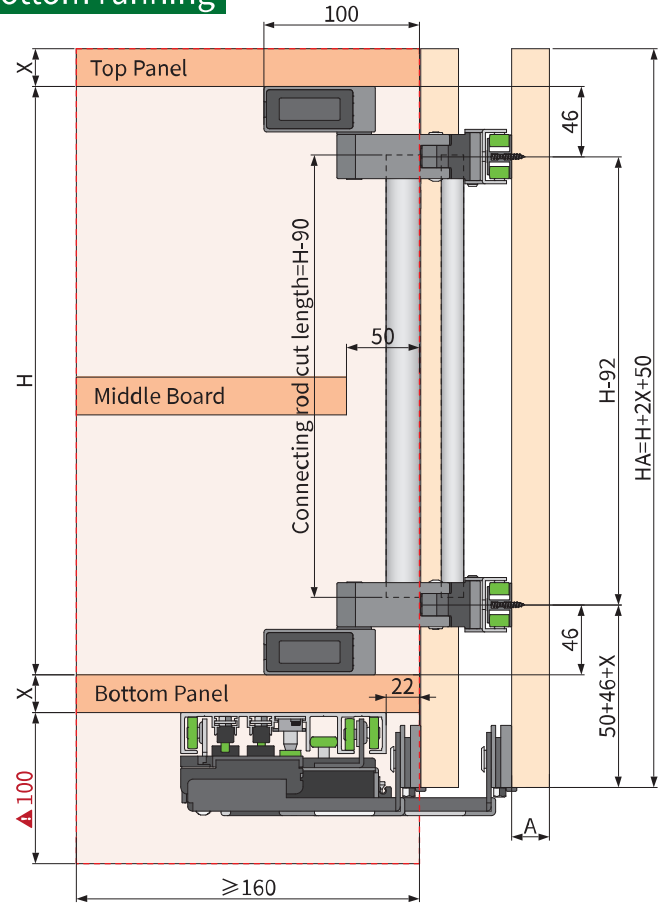
Top running

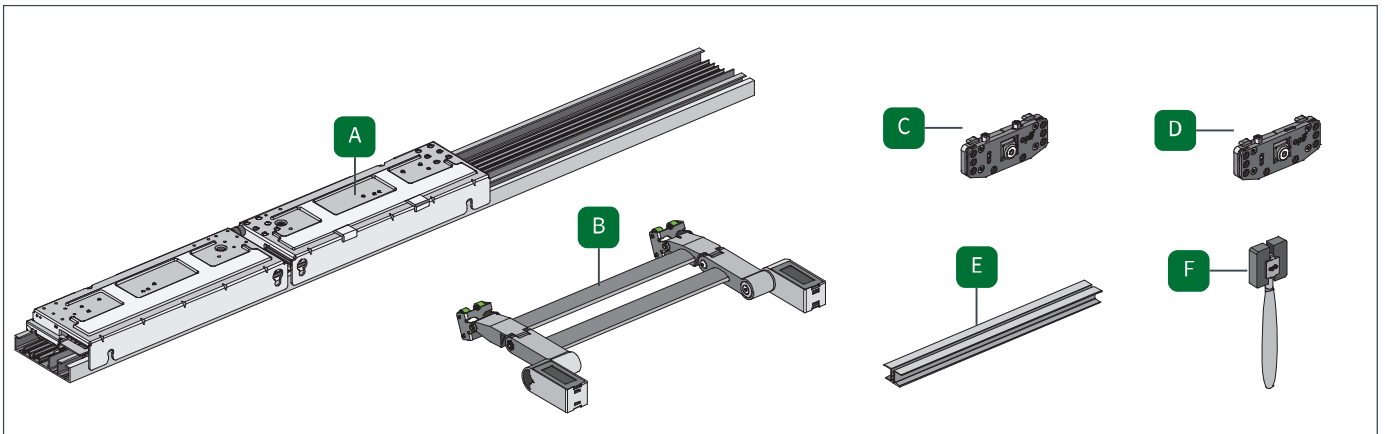
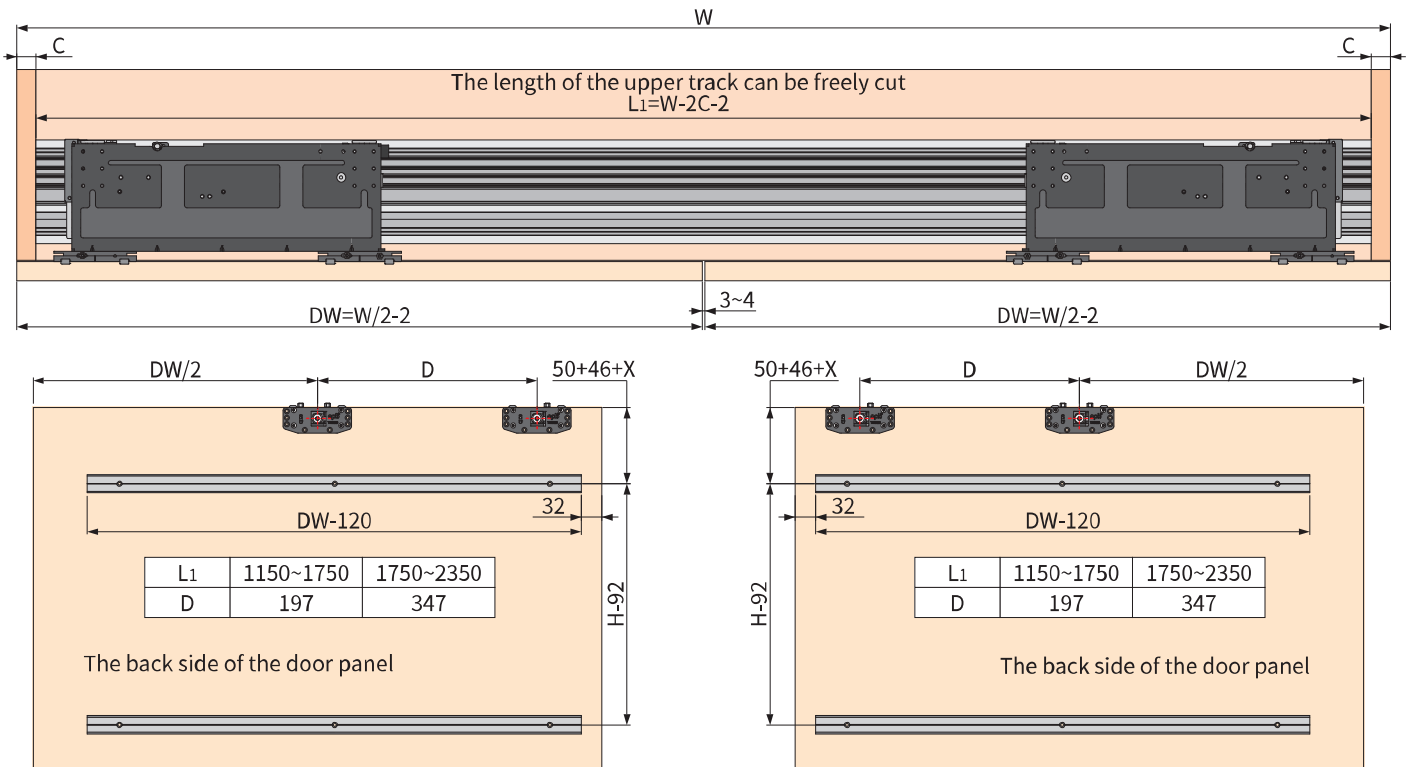


X the thickness of the top panel or bottom panel

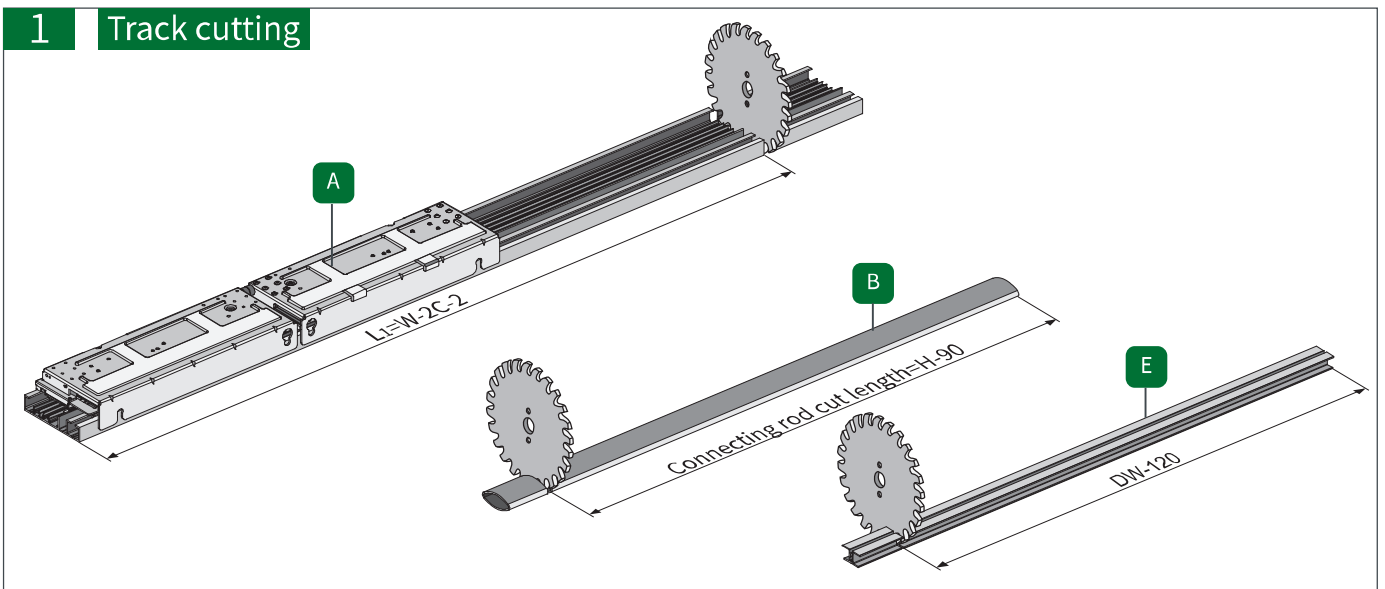
Door thickness (A)	15~20mm(With a hand)
Door width (DW)	600~1200mm
Door height (HA)	≤ 690mm

Bottom running

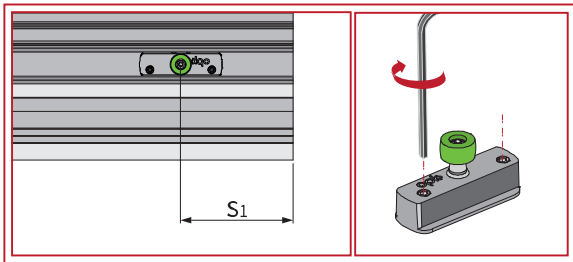
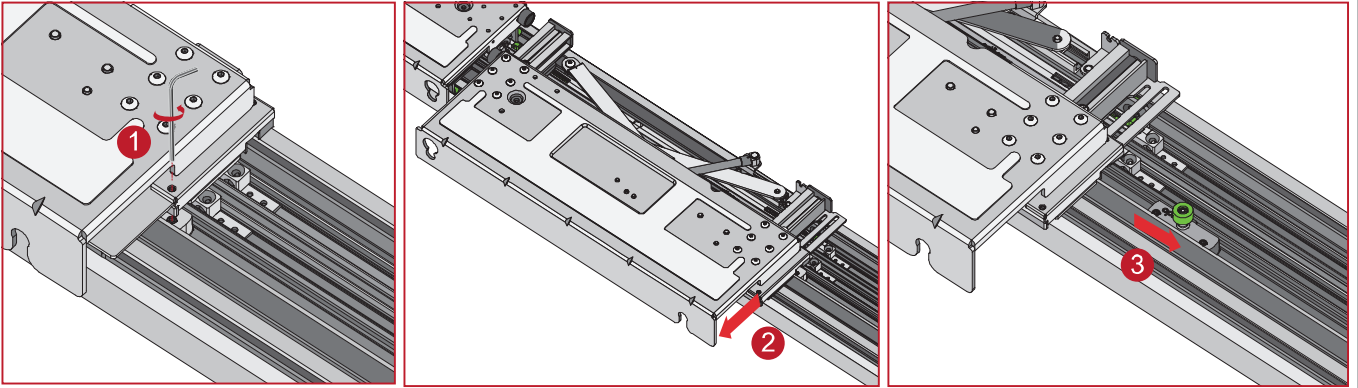




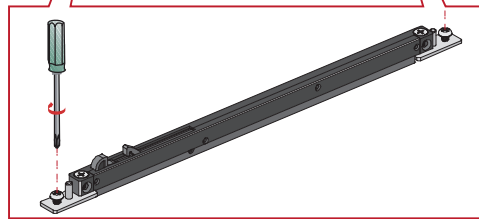
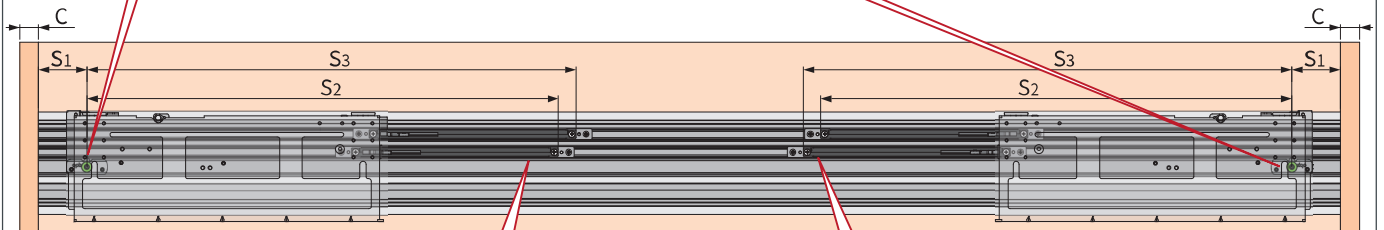
1 Track cutting



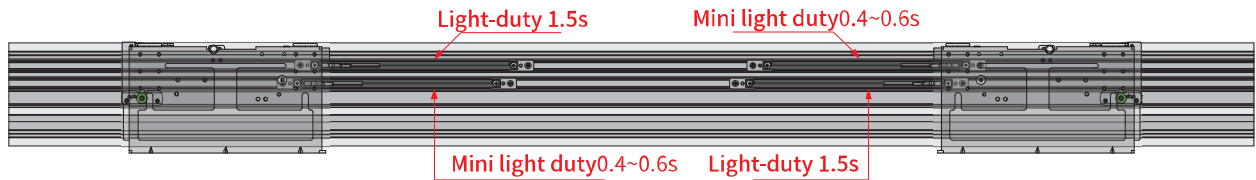
2 Stopper position



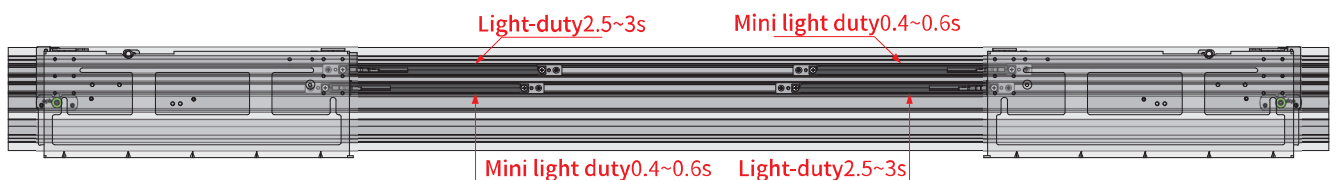
The length of the upper track(mm)	S1	S2	S3
1150~1750	DW/2-223-C	S1+473	S1+498
1750~2350	DW/2-373-C	S1+623	S1+648



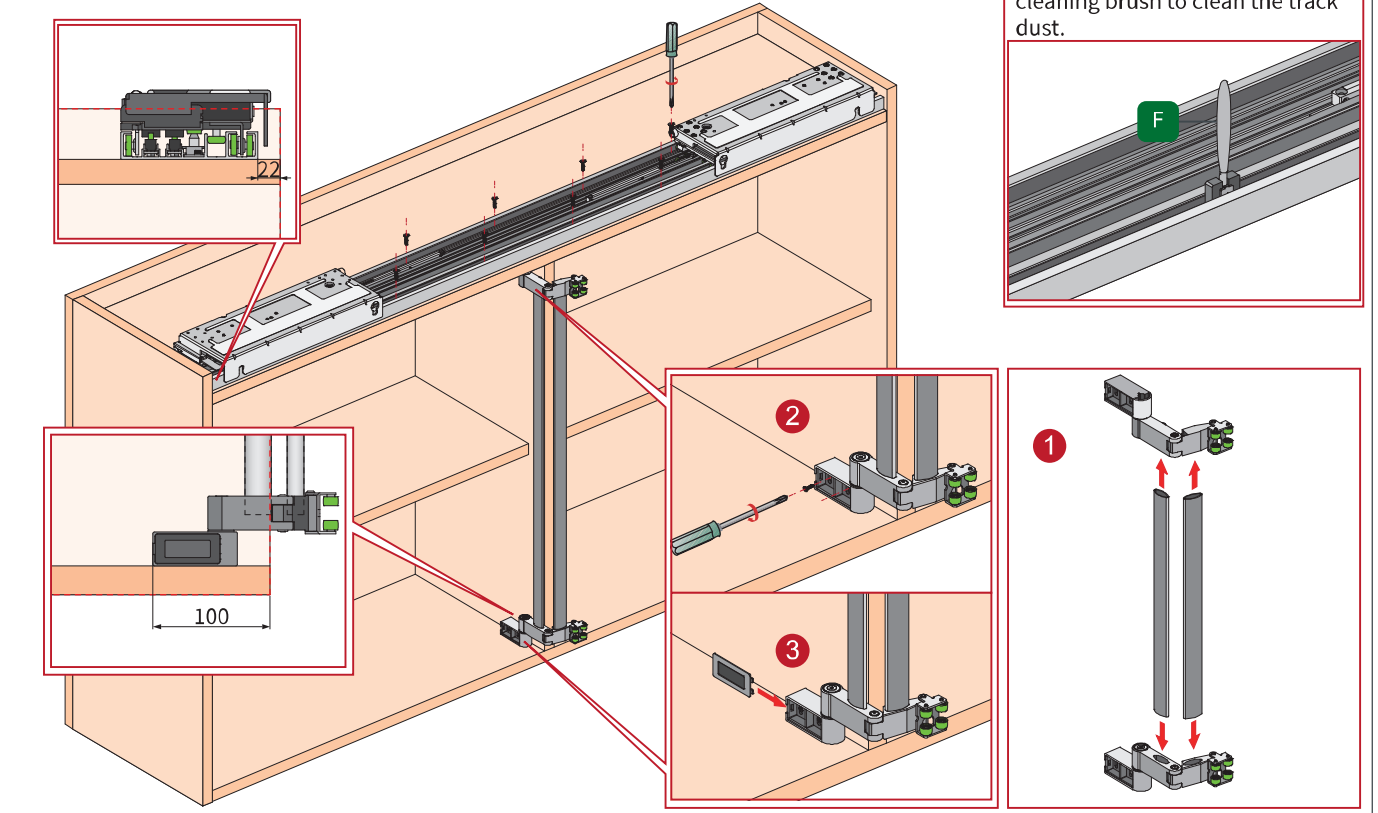
1150~1750



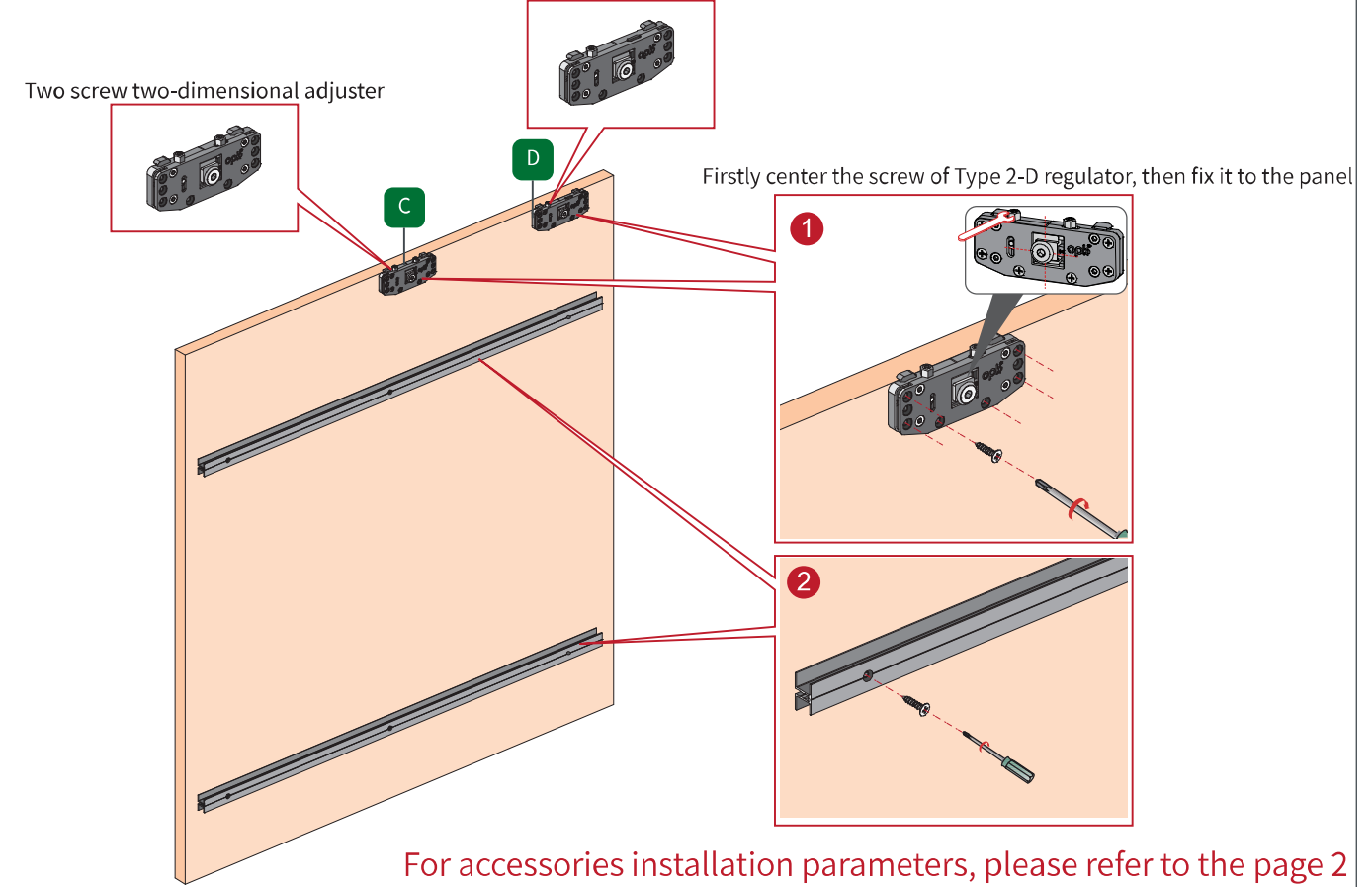
1750~2350



3 Install upper track Install driving device

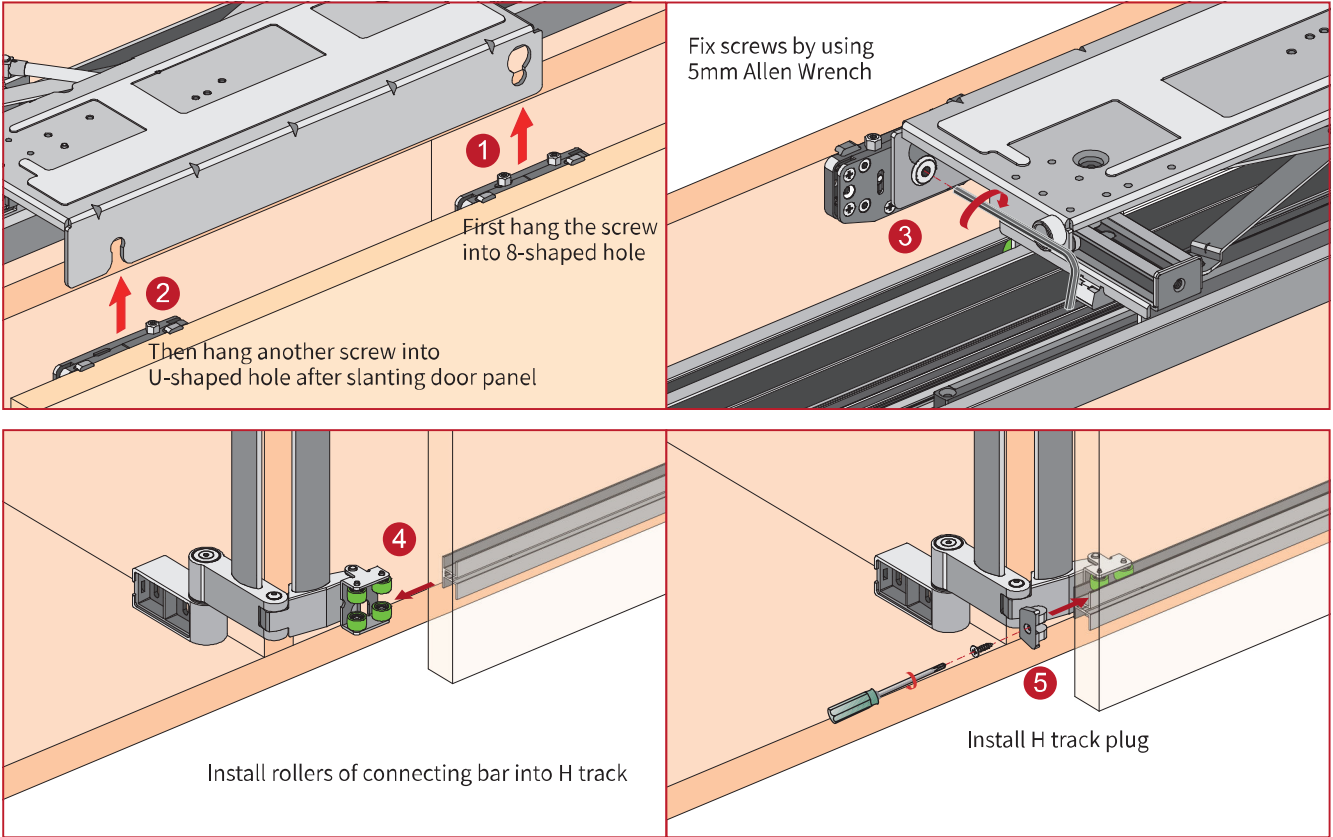


4 Install door panel fittings Single screw two-dimensional adjuster

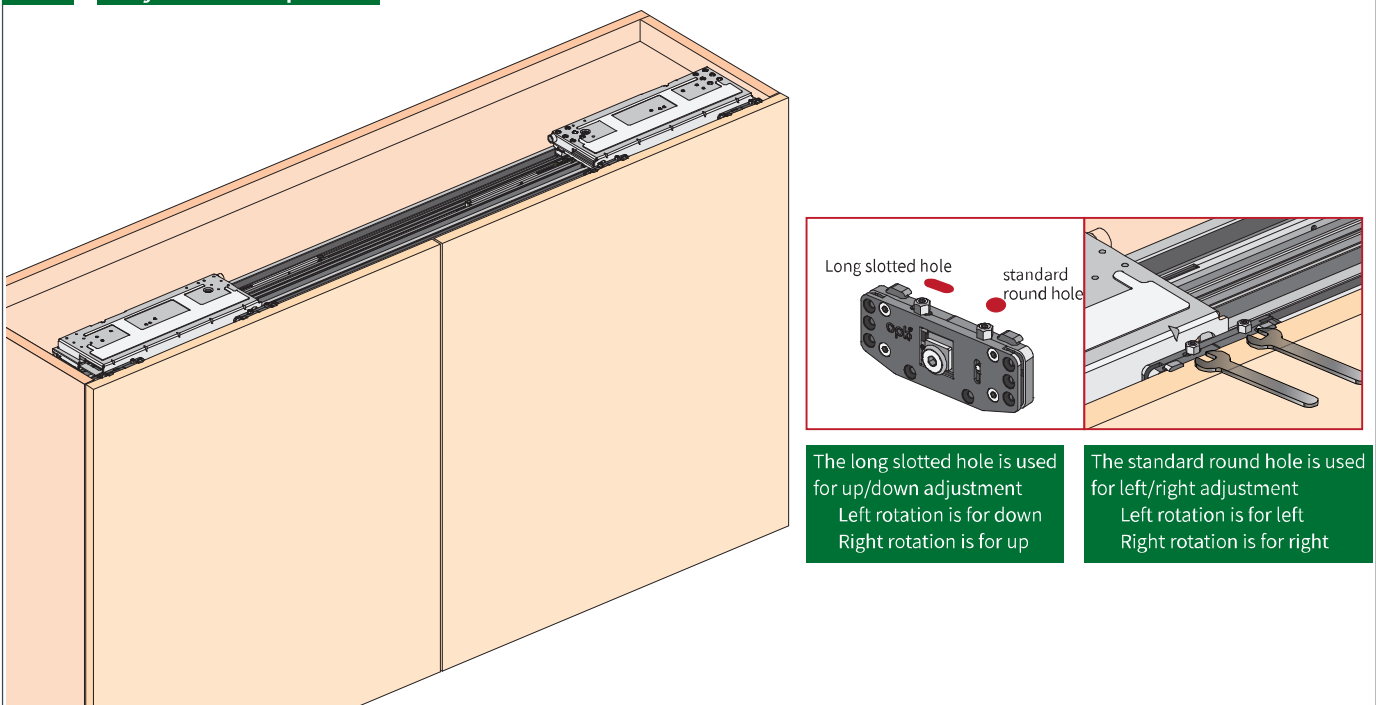


For accessories installation parameters, please refer to the page 2

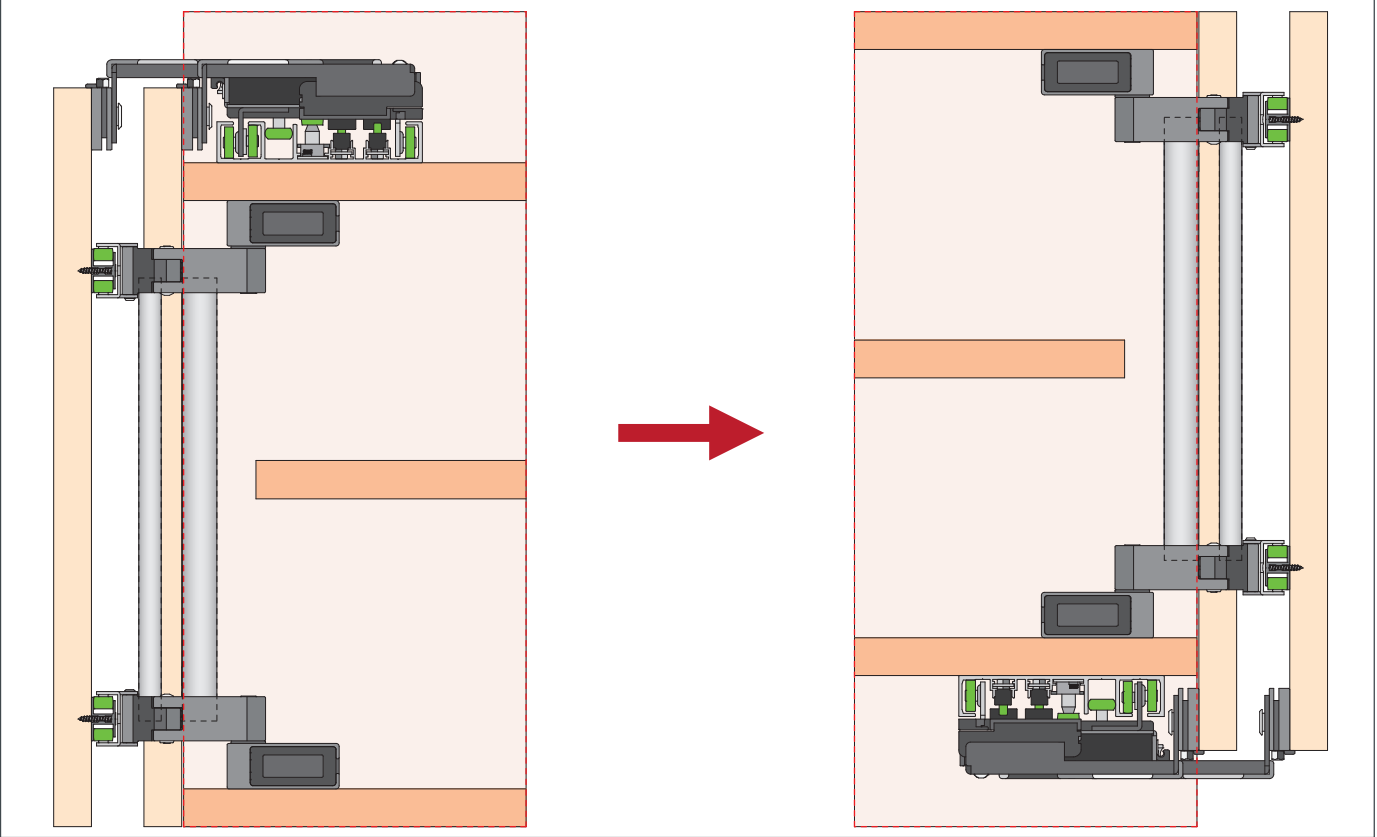
5 Install door panels



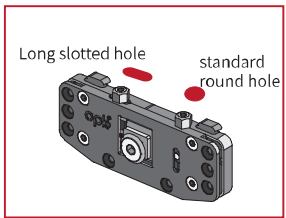
6 Adjust door panel



7 Flip the cabinet



8 Adjust the door panel



The long slotted hole is used for up/down adjustment
 Left rotation is for down
 Right rotation is for up

The standard round hole is used for left/right adjustment
 Left rotation is for left
 Right rotation is for right

