

1 Cut the aluminum profile

Vertical frame (With handle)

Vertical frame

Upper & bottom frame

$L_V = DH$

$L_B = DH$

$L_B = DW$

2 Frame connection

Width of glass = DW-5

Height of glass = DH-5

1200

17

X=User-defined

28.6

15

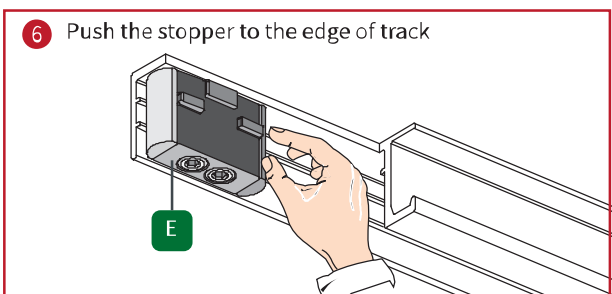
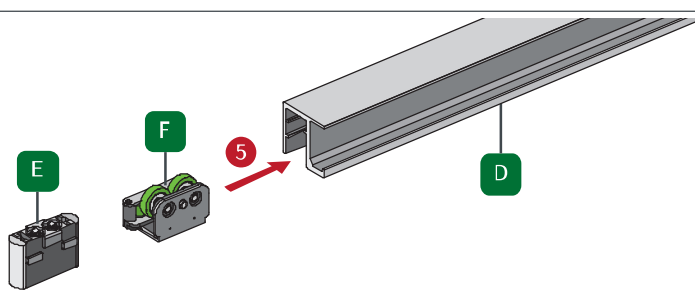
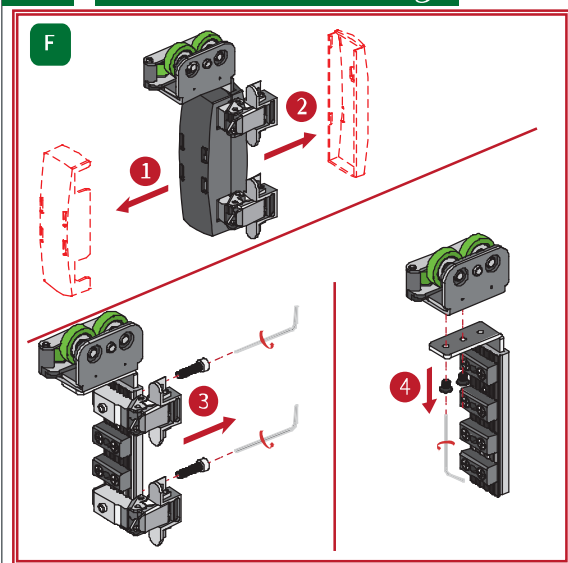
45°

Ø8

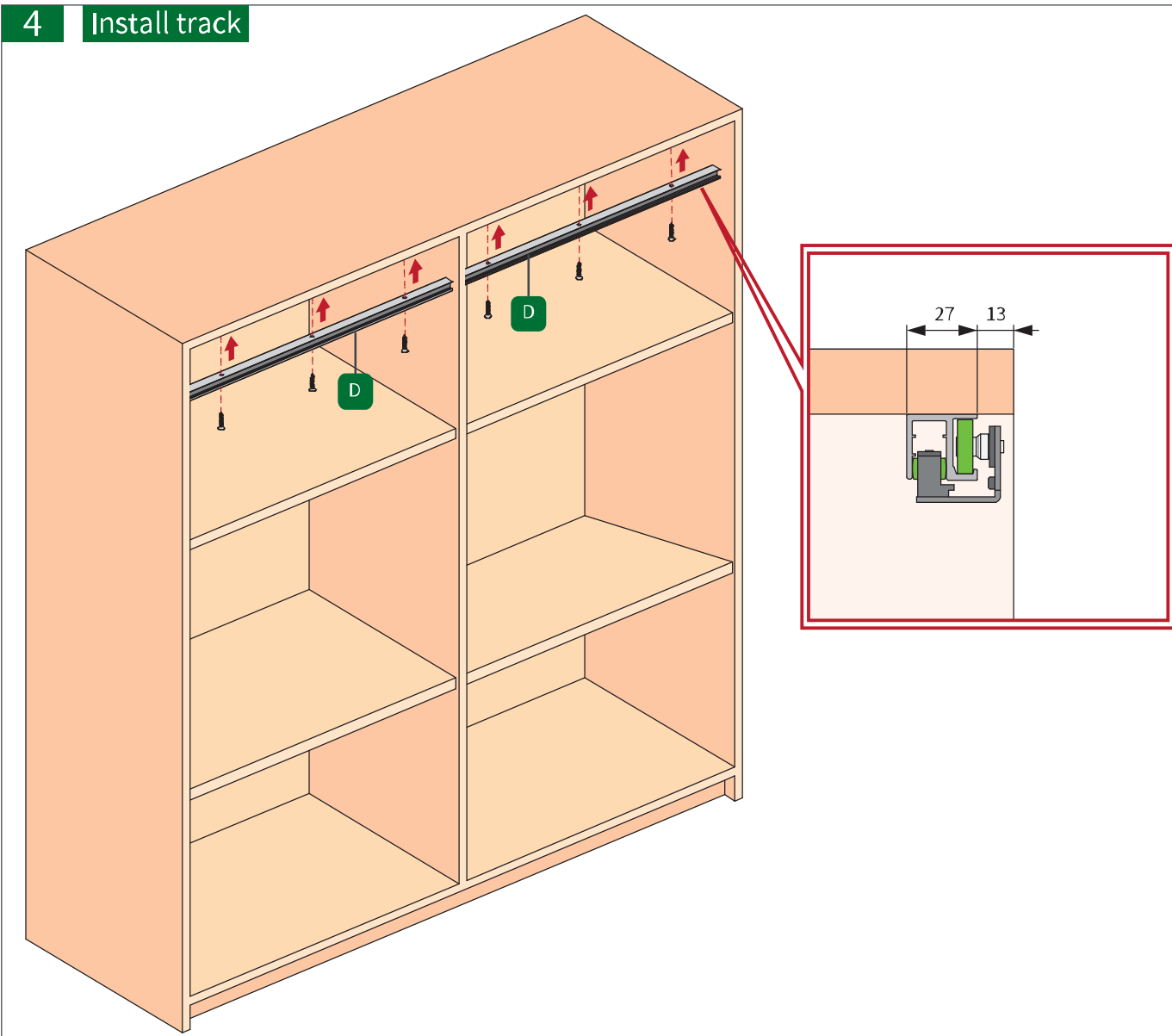
15

4.5

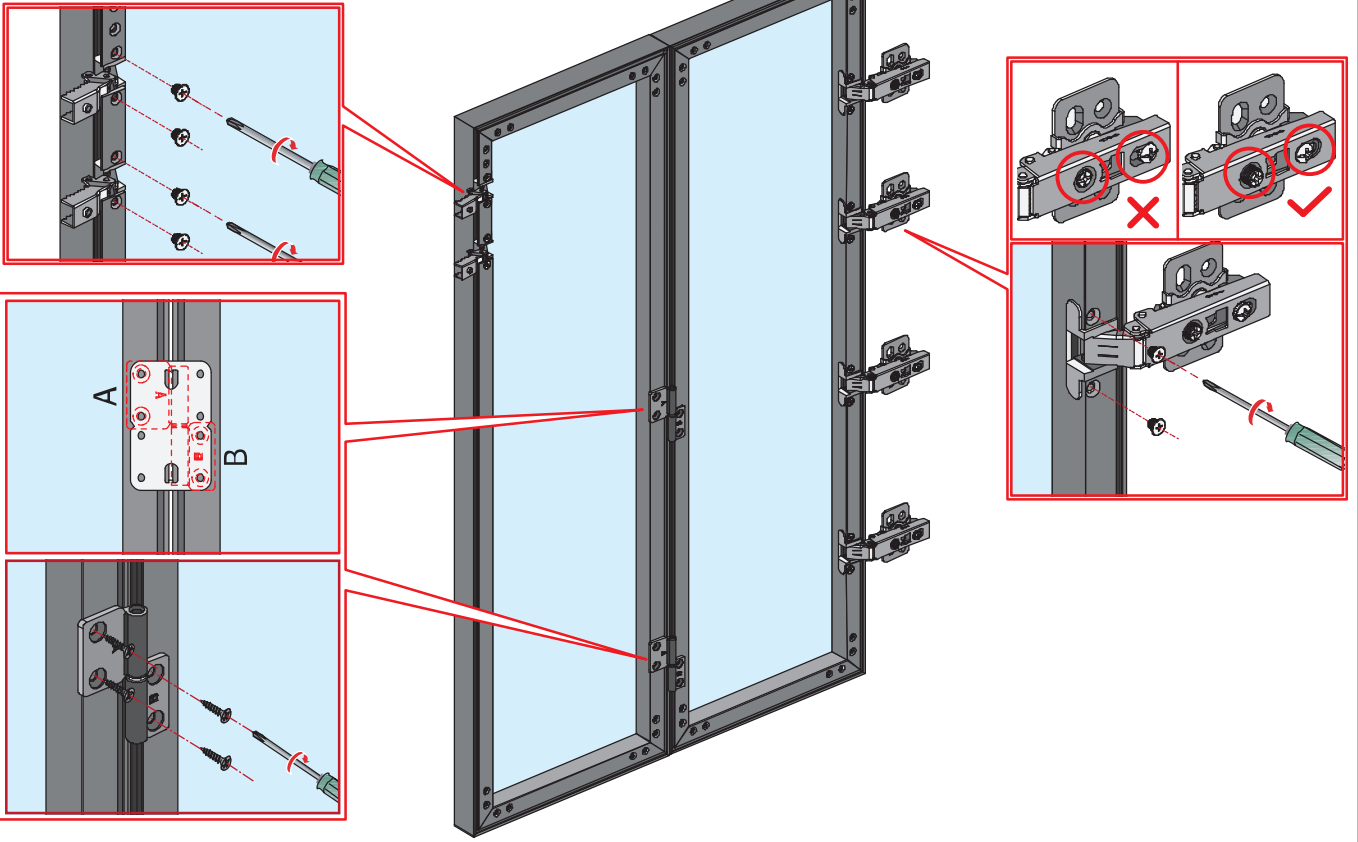
3 Install the track fittings



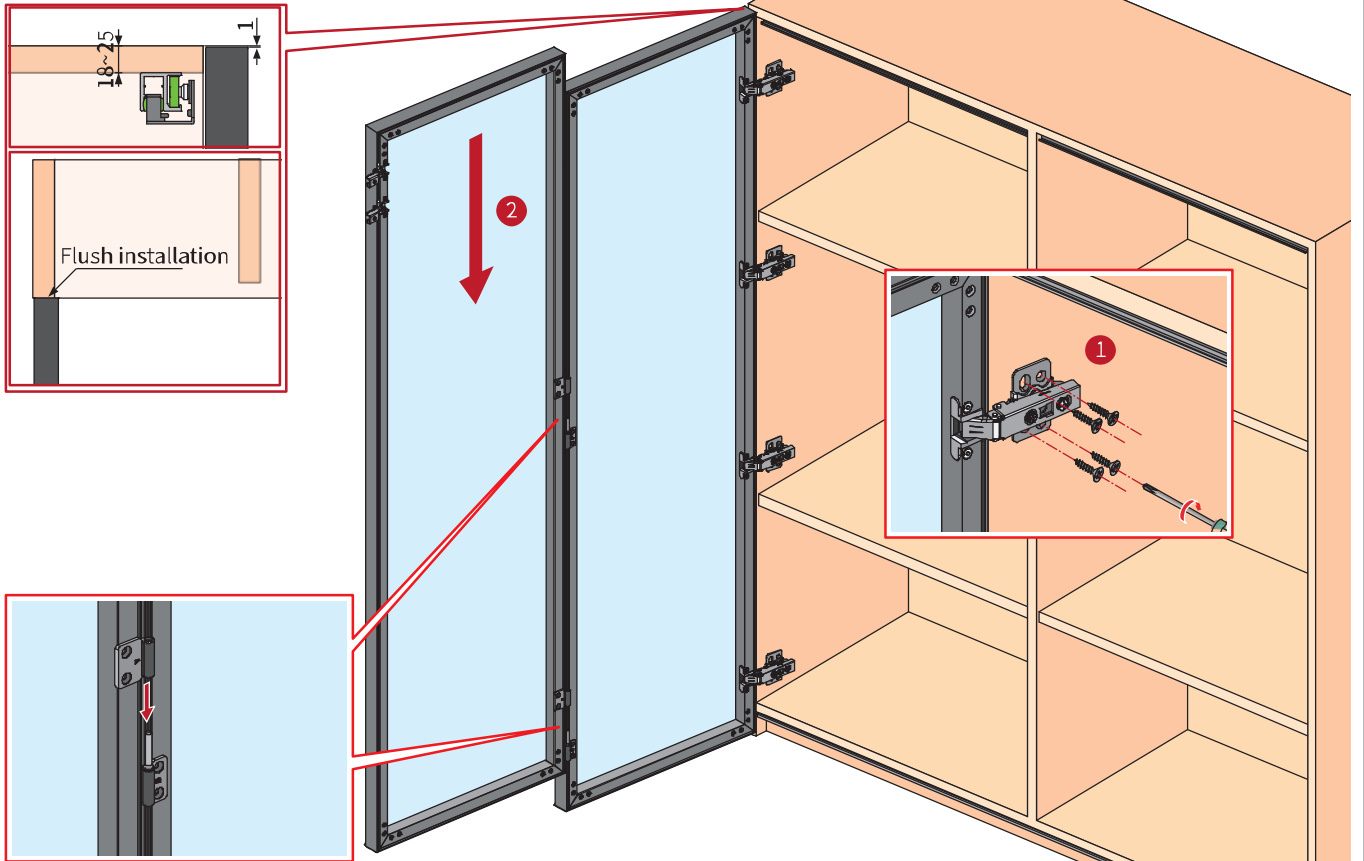
4 Install track



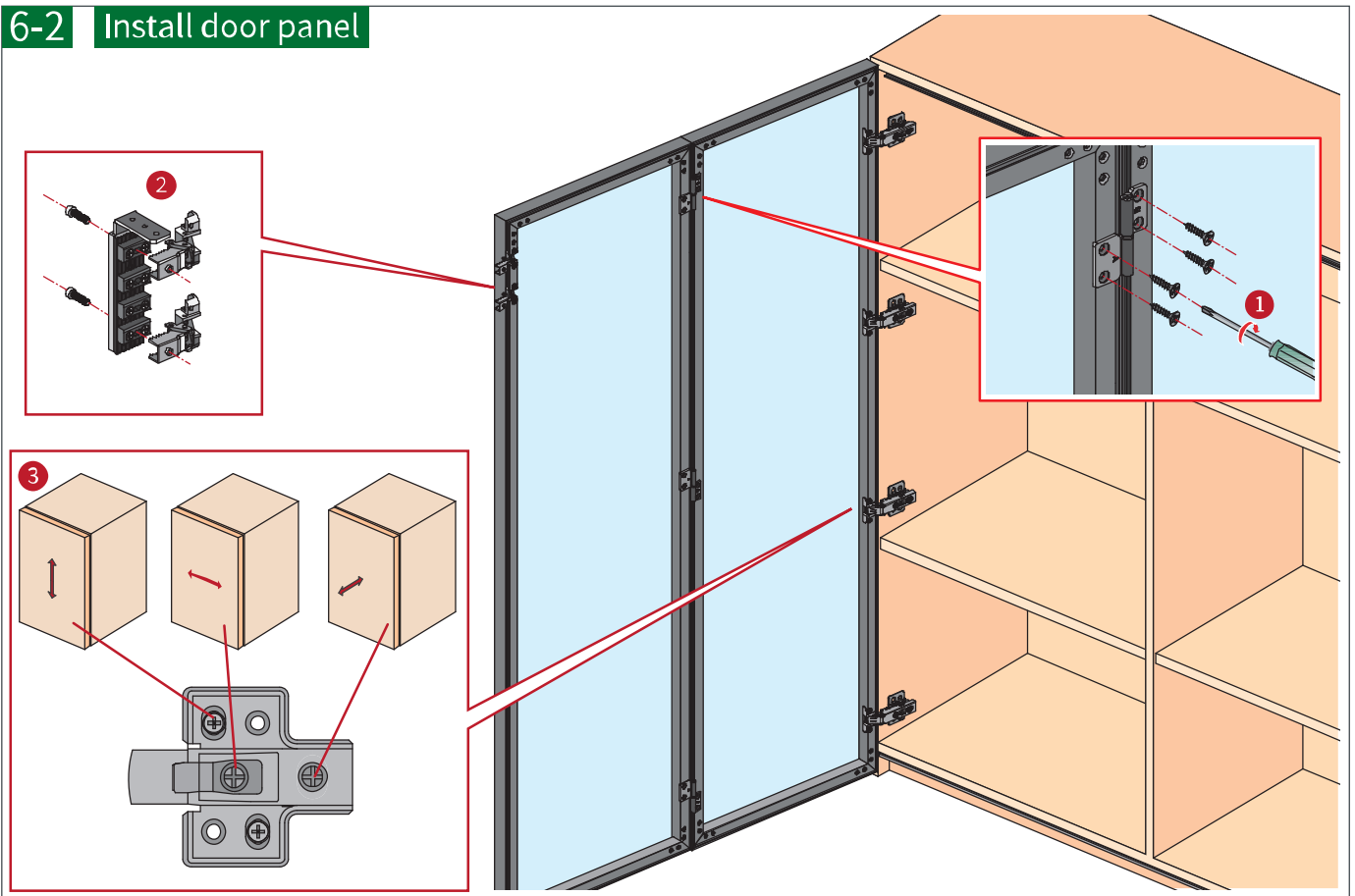
5 Install door panel fittings



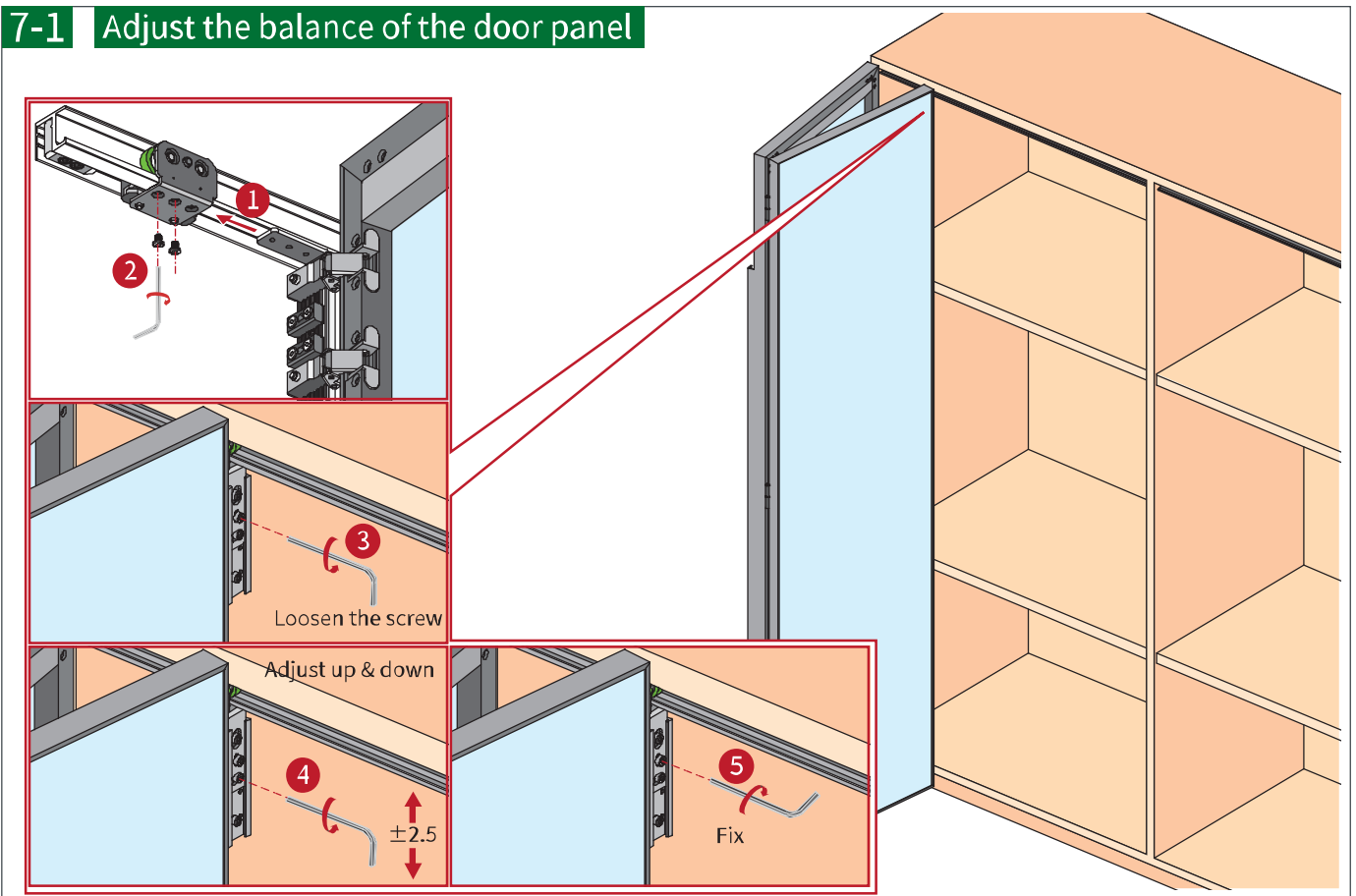
6-1 Install door panel



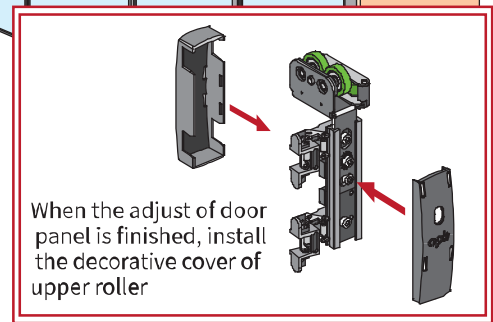
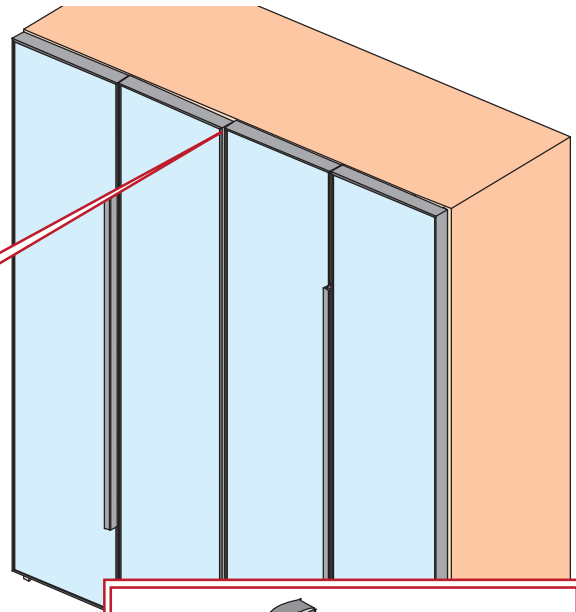
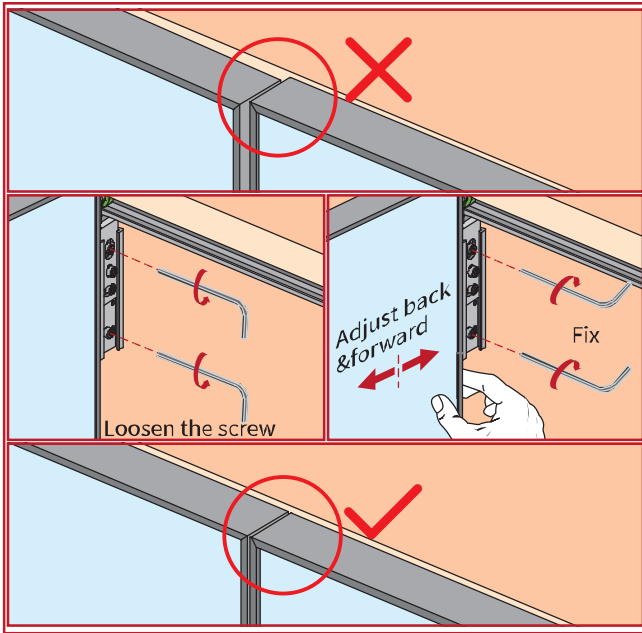
6-2 Install door panel



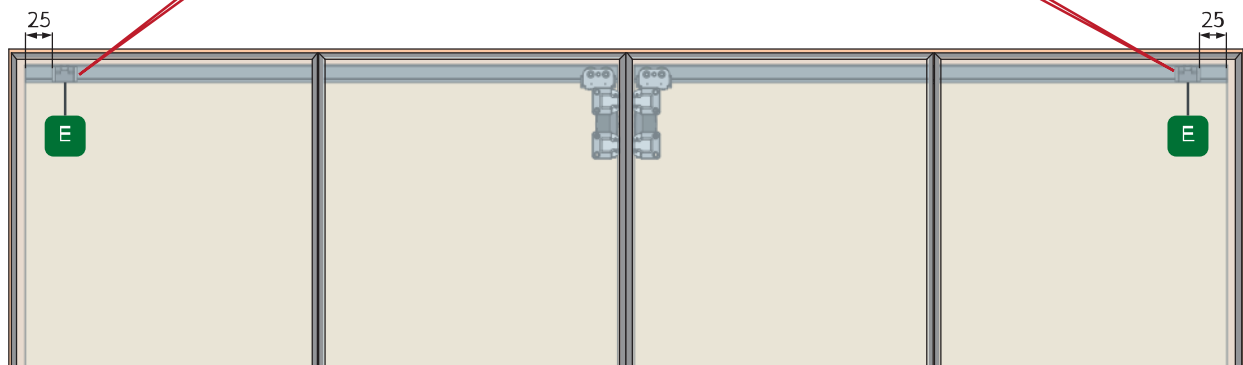
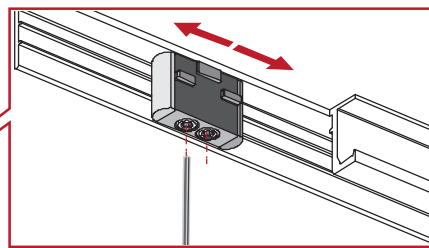
7-1 Adjust the balance of the door panel

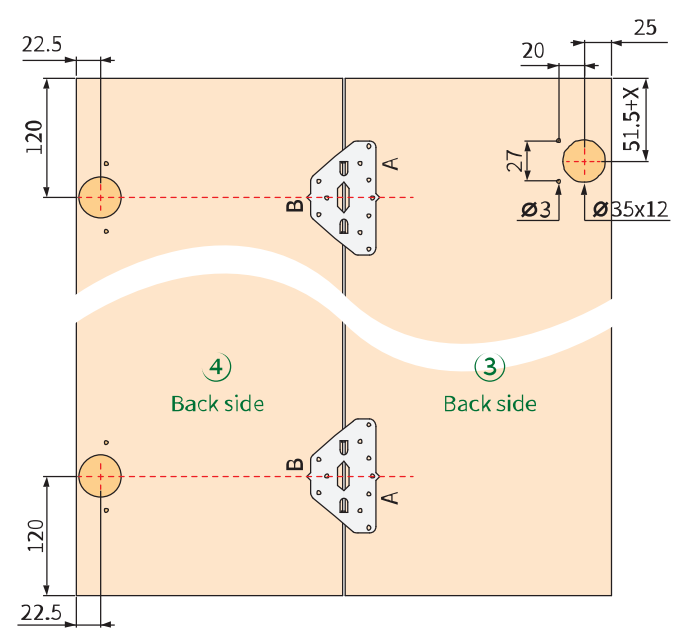
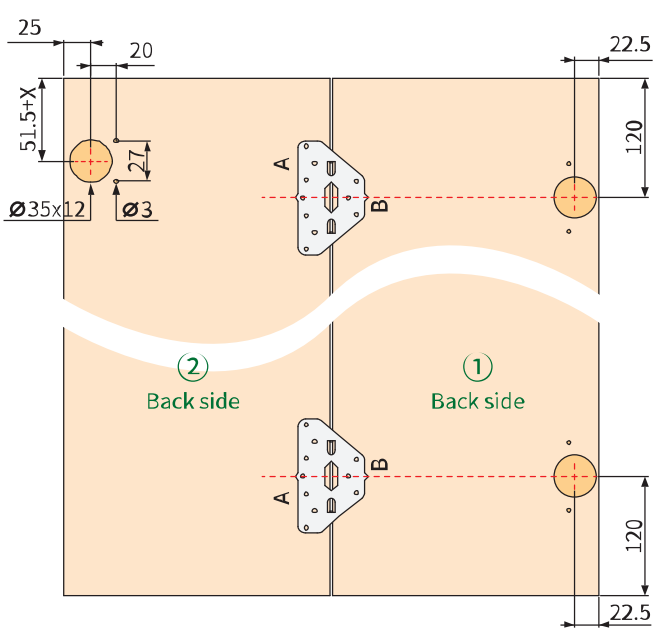
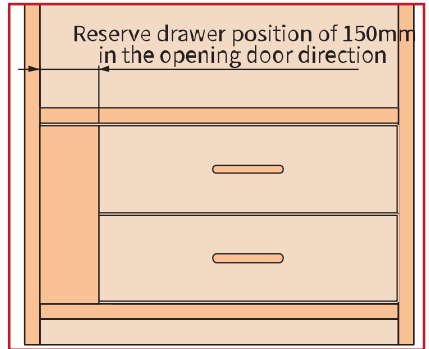
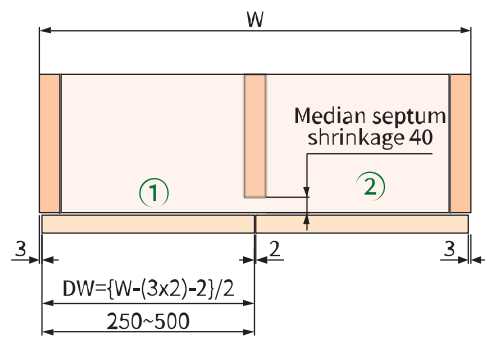
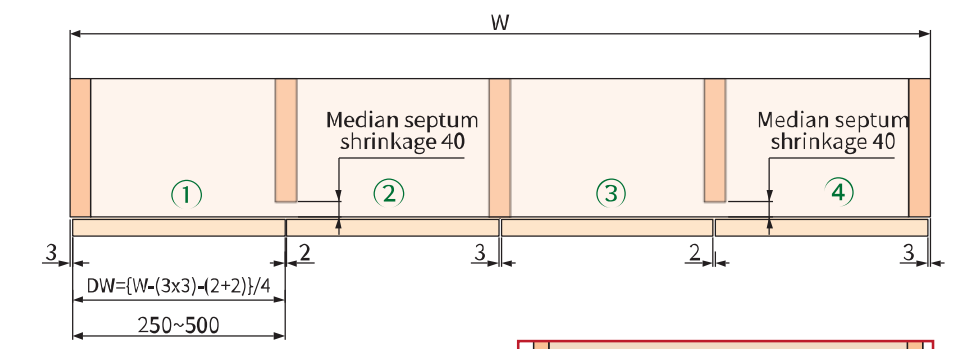
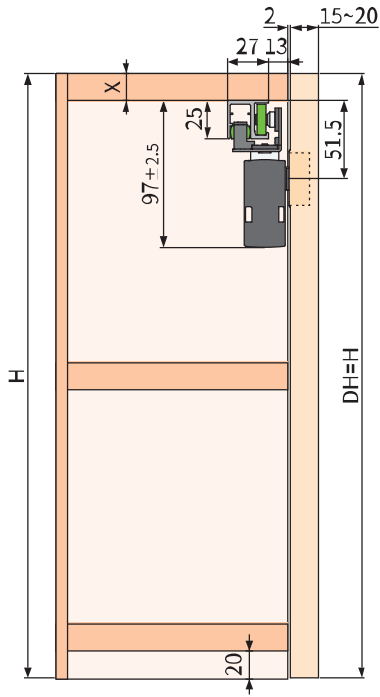
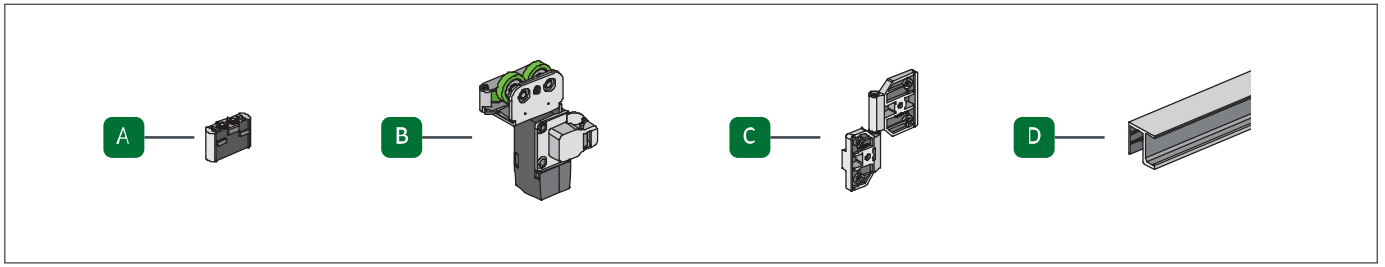


7-2 Adjust the balance of the door panel

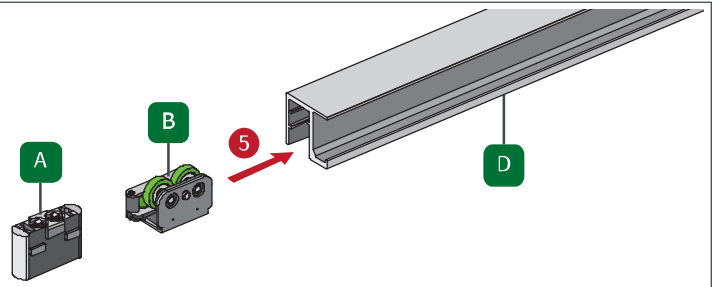
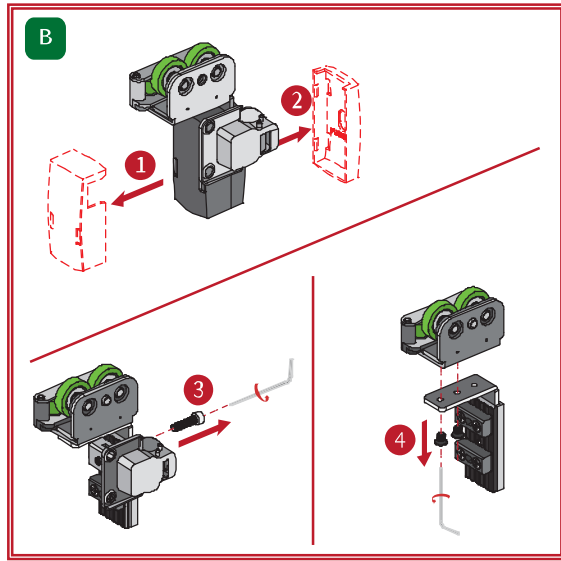


8 Location stopper

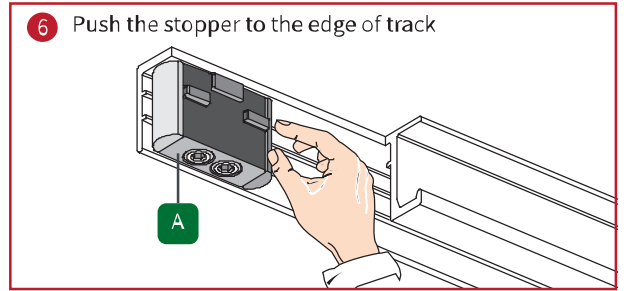




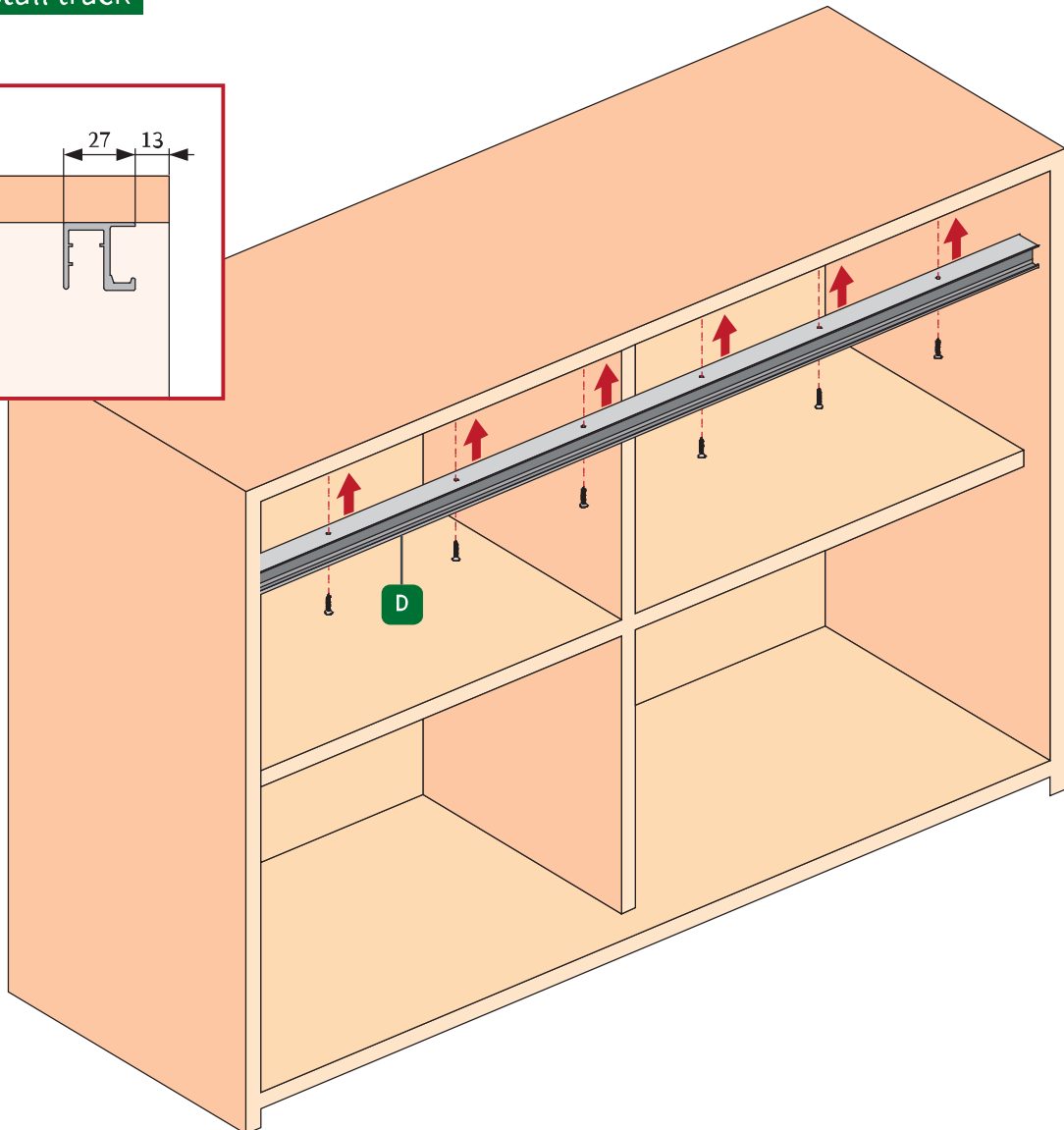
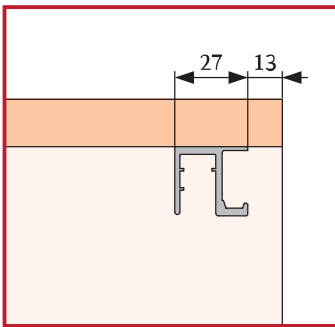
1 Install the track fittings



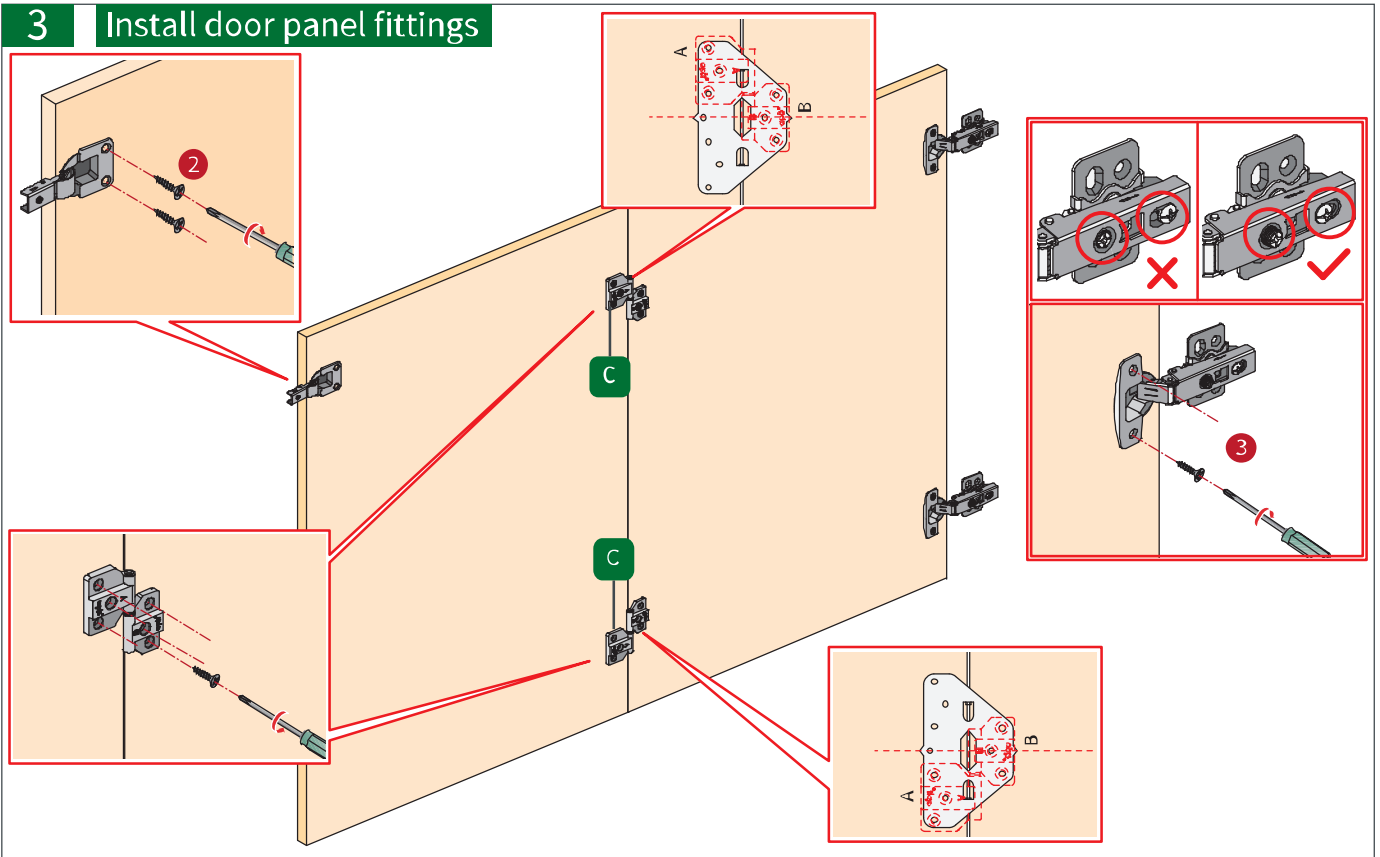
6 Push the stopper to the edge of track



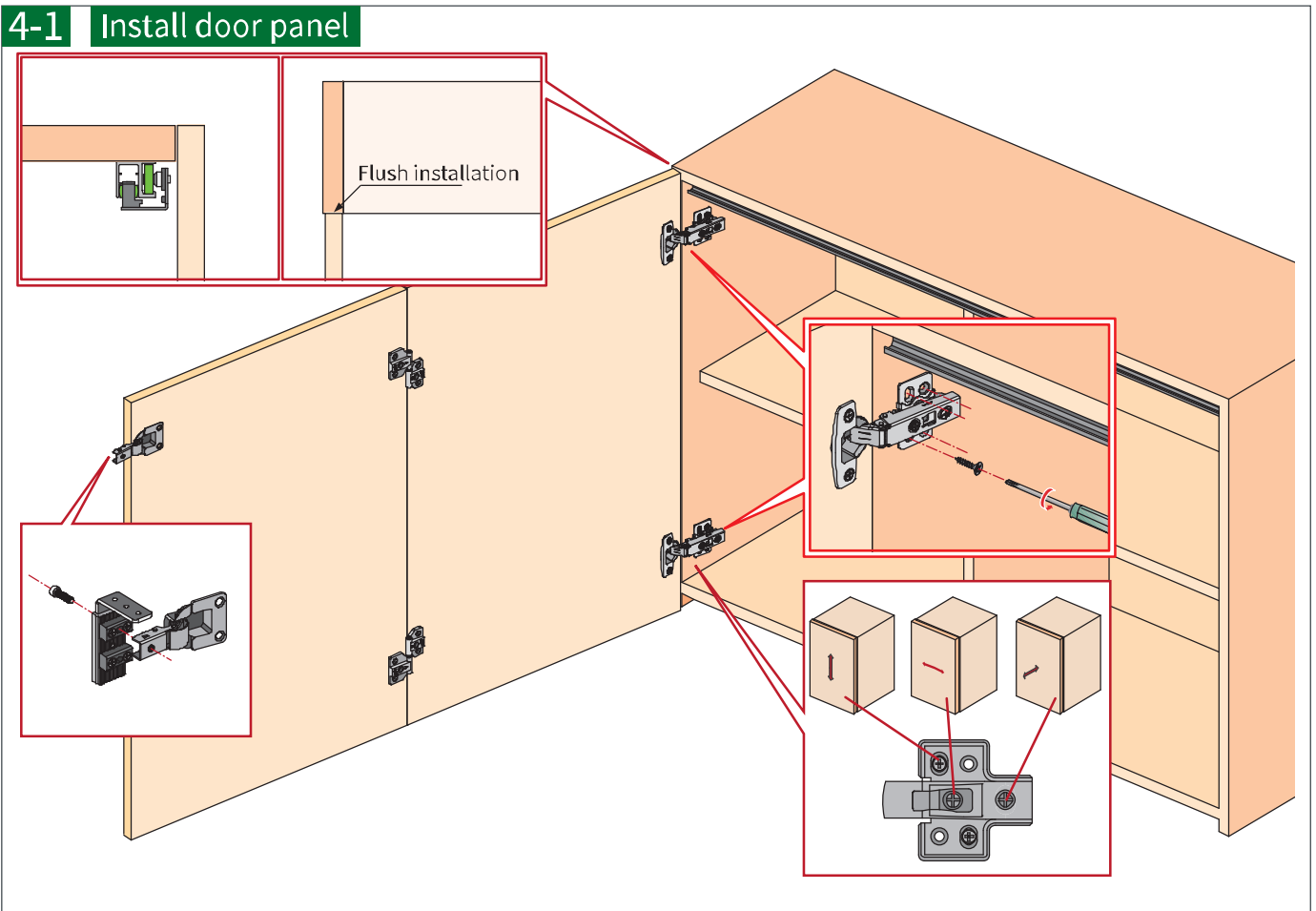
2 Install track



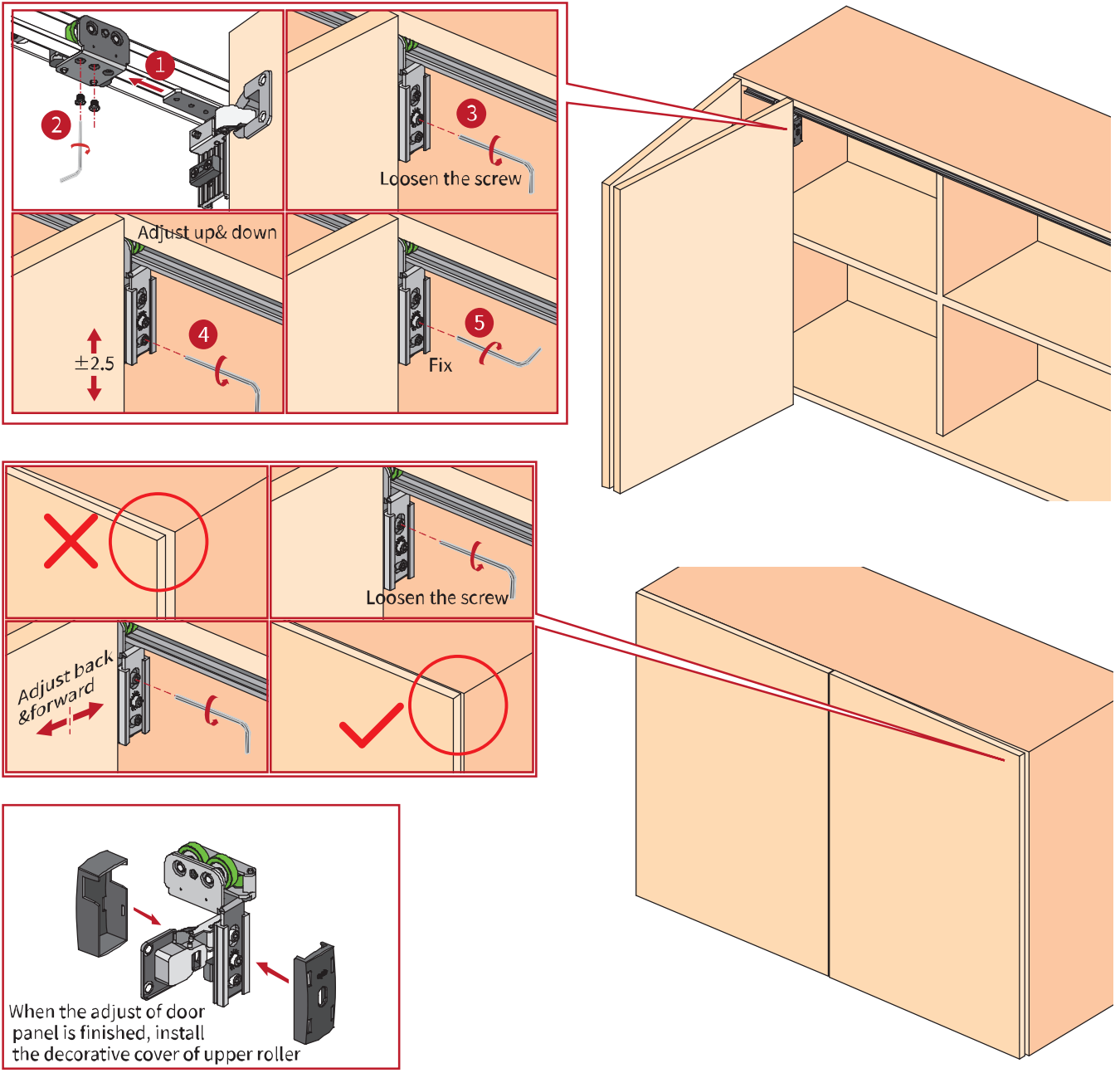
3 Install door panel fittings



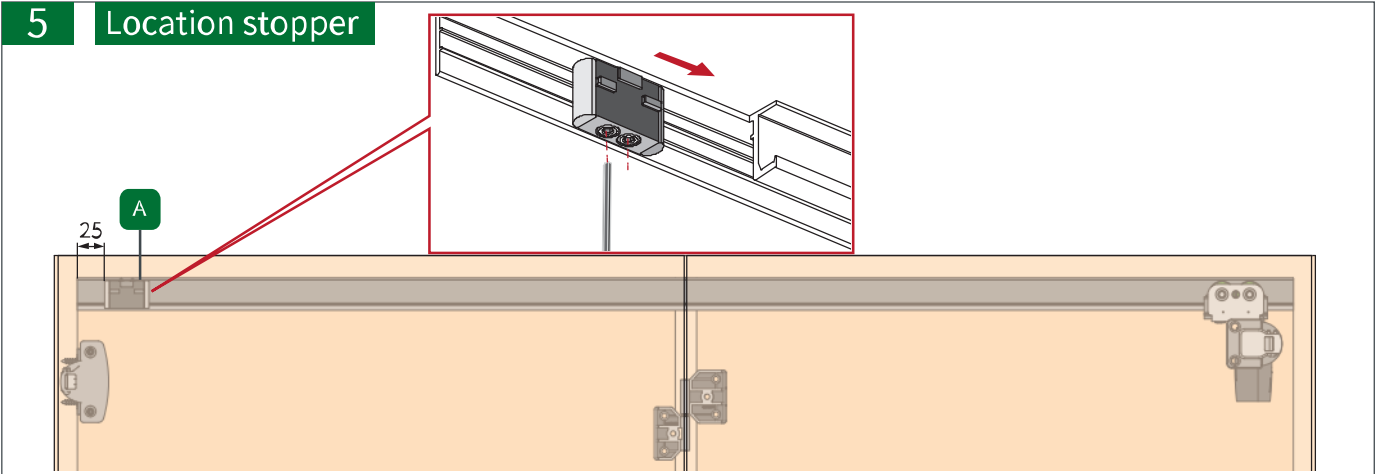
4-1 Install door panel

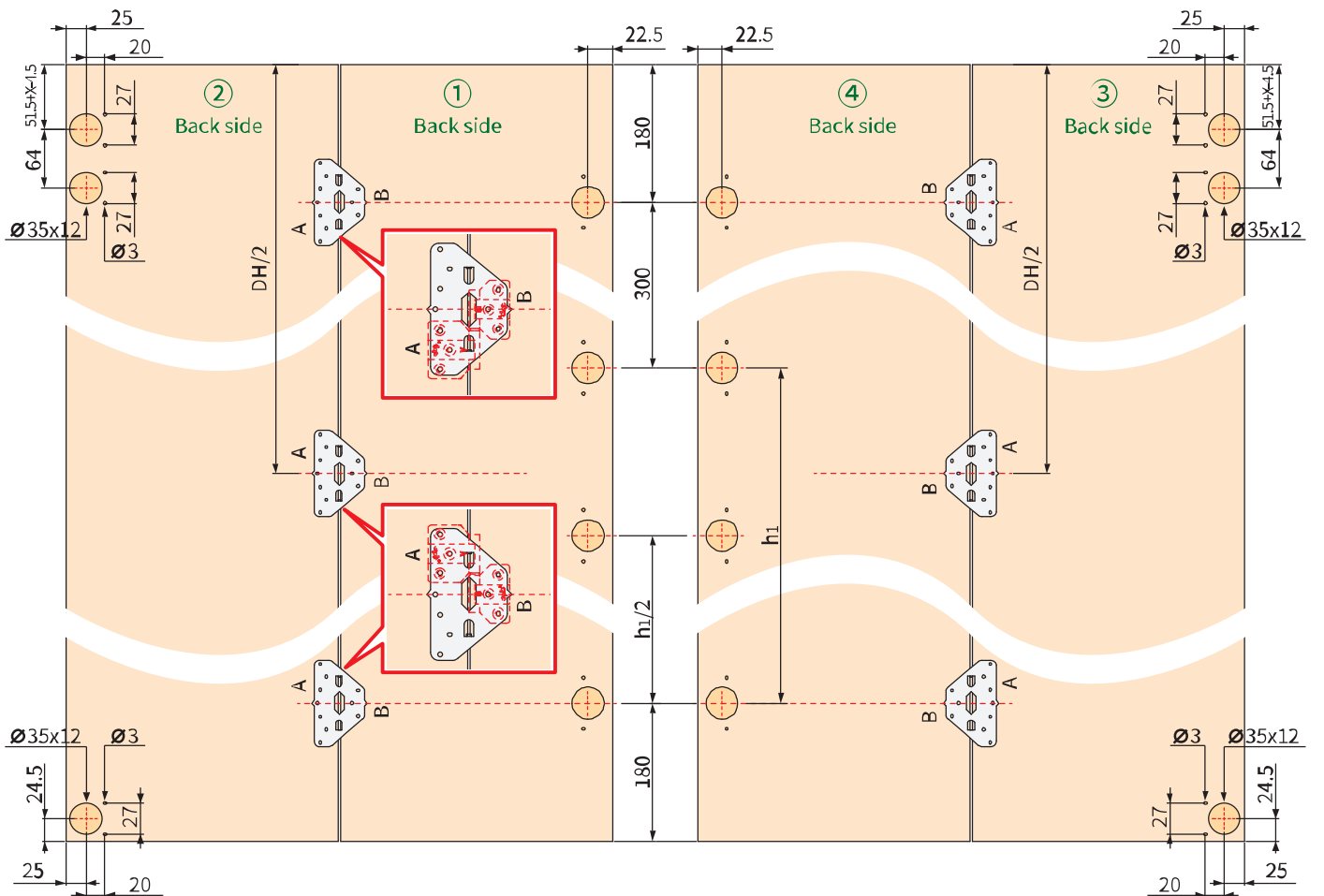
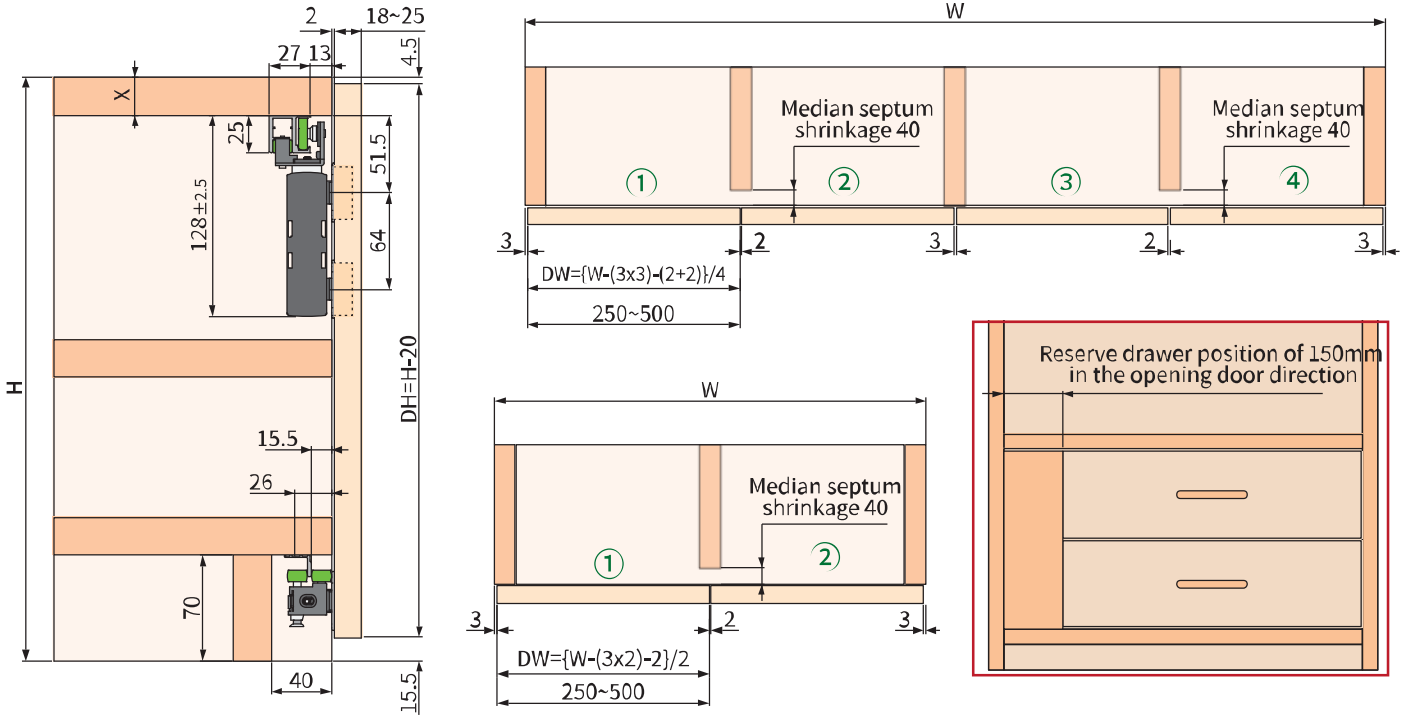
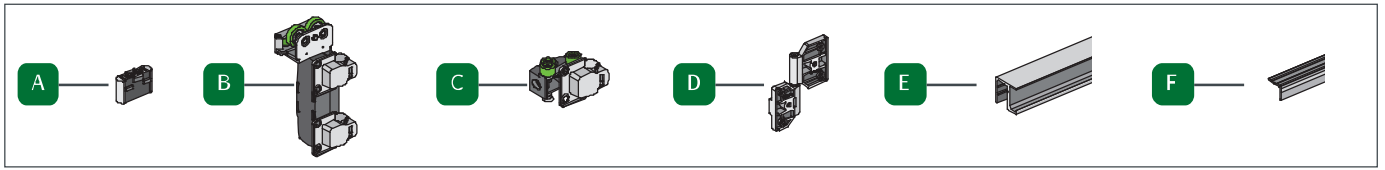


4-2 Install door panel Adjust the balance of the door panel

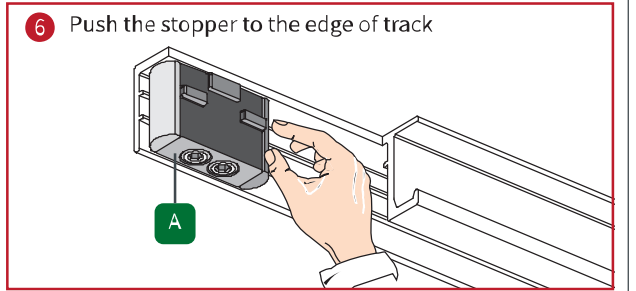
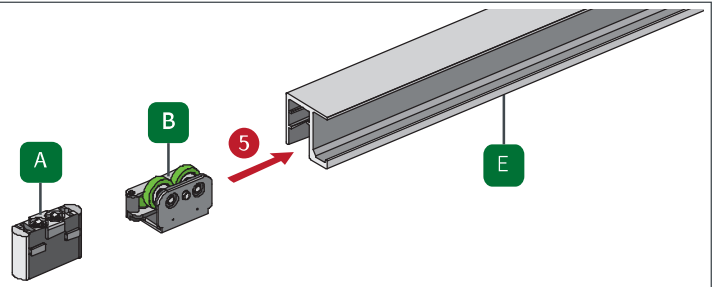
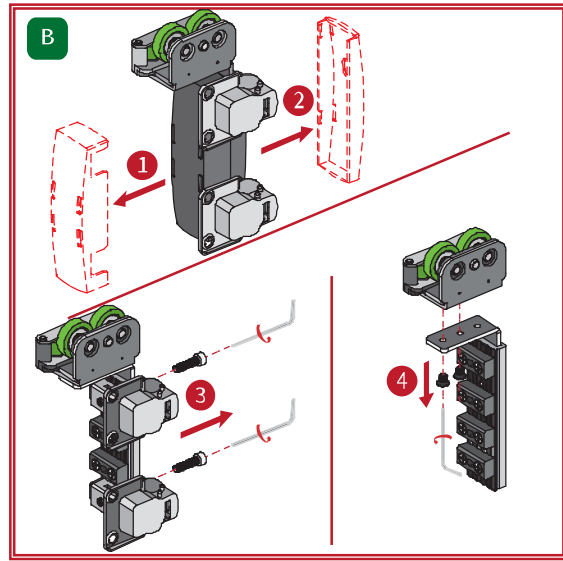


5 Location stopper

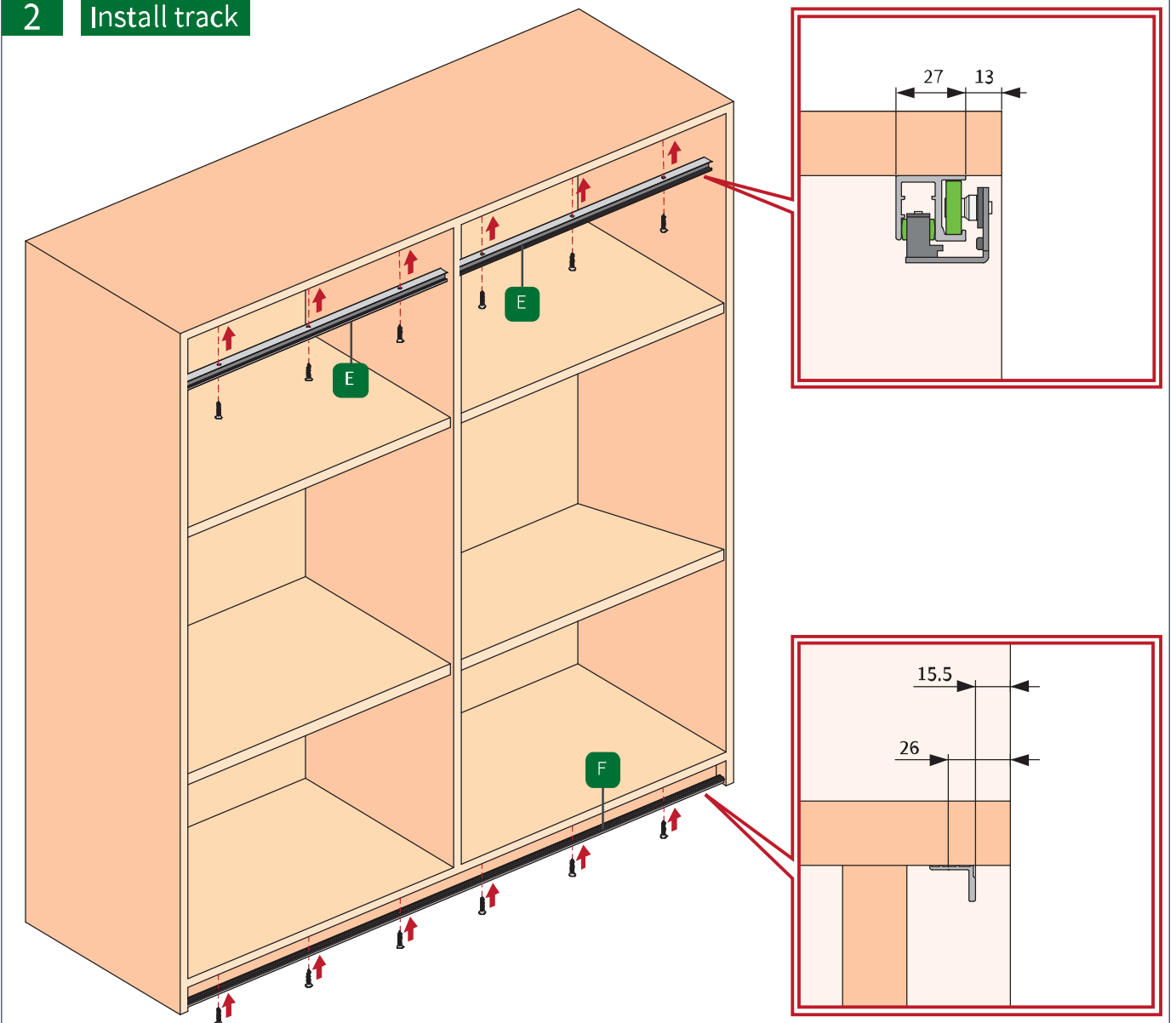




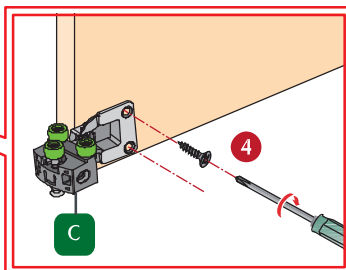
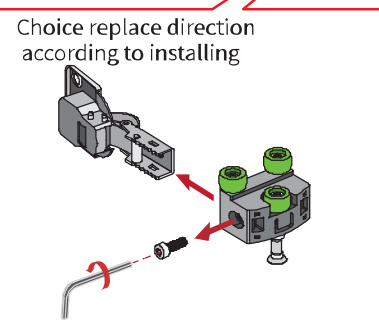
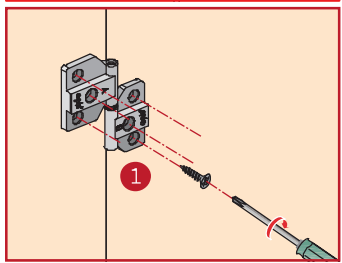
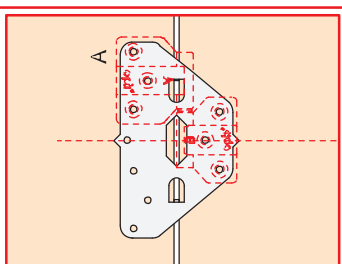
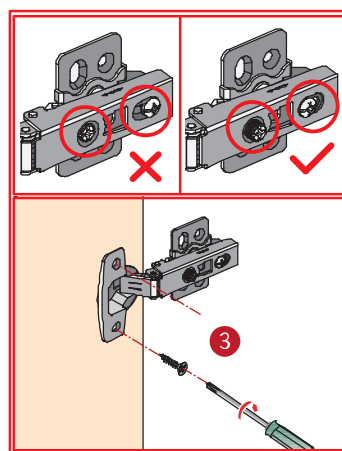
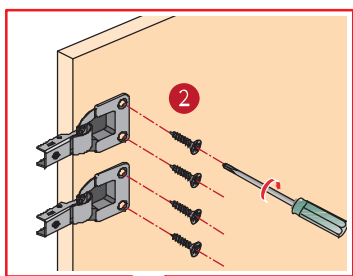
1 Install the track fittings



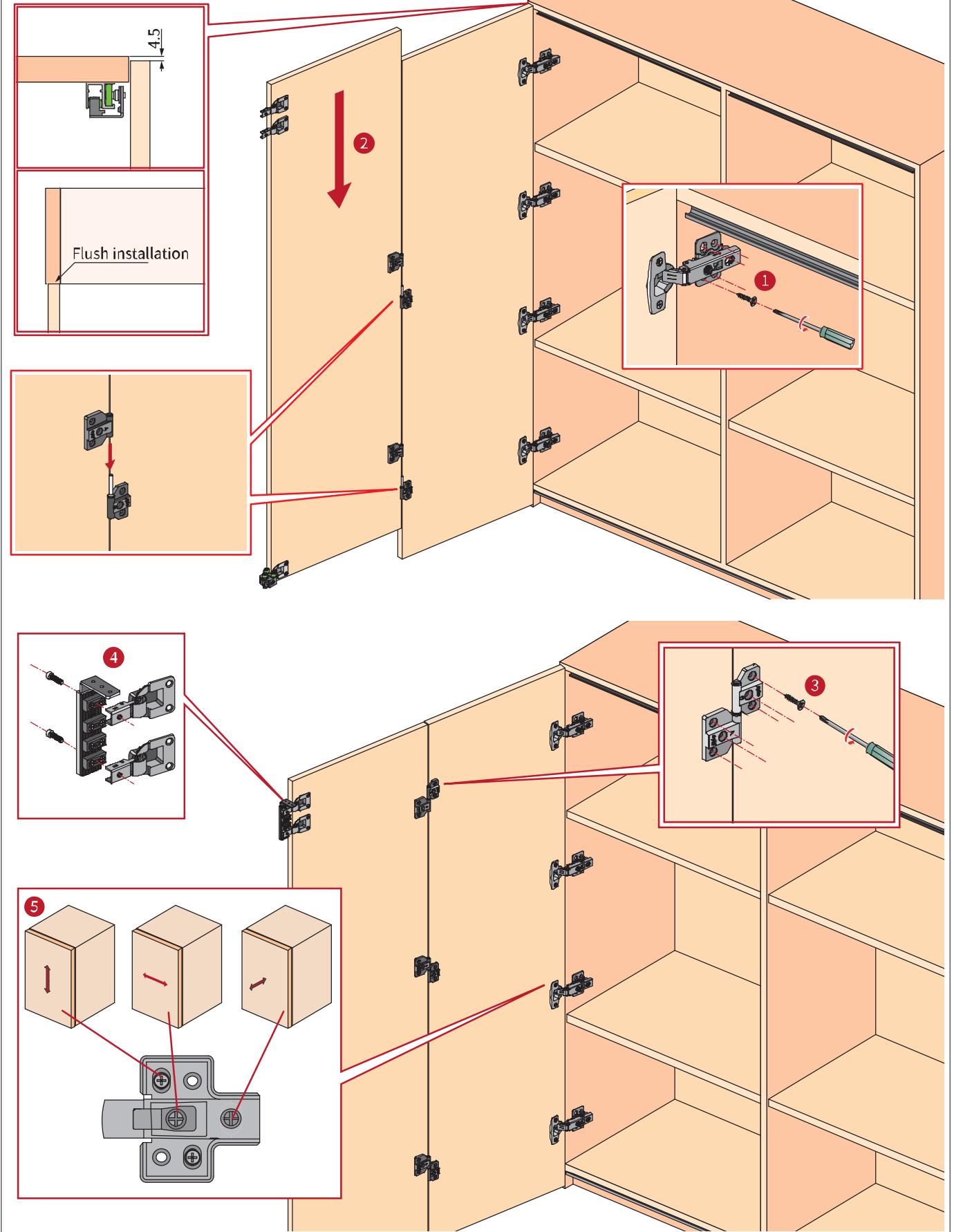
2 Install track



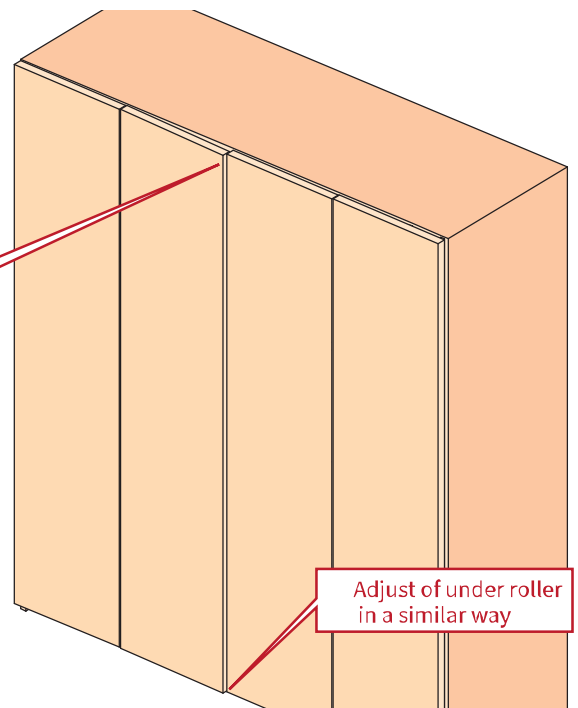
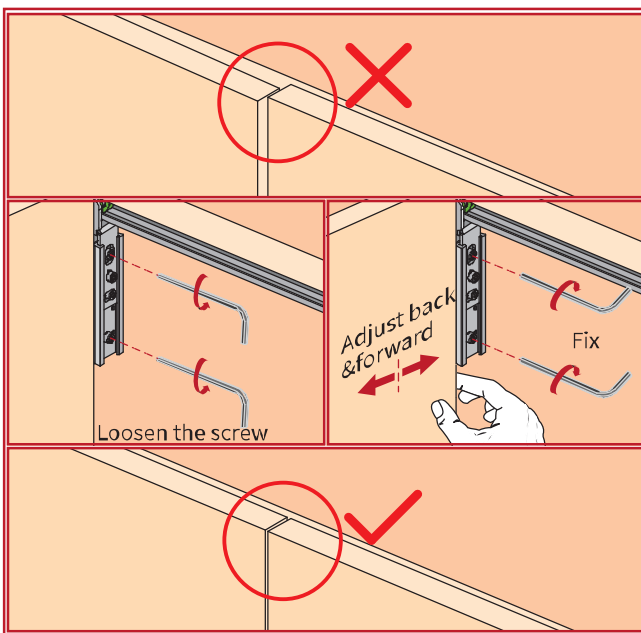
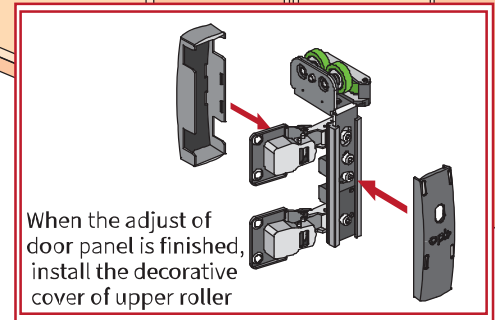
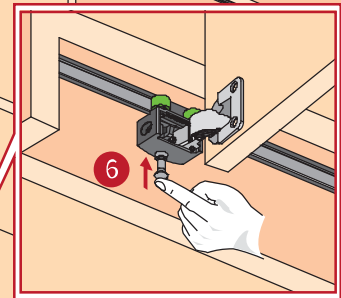
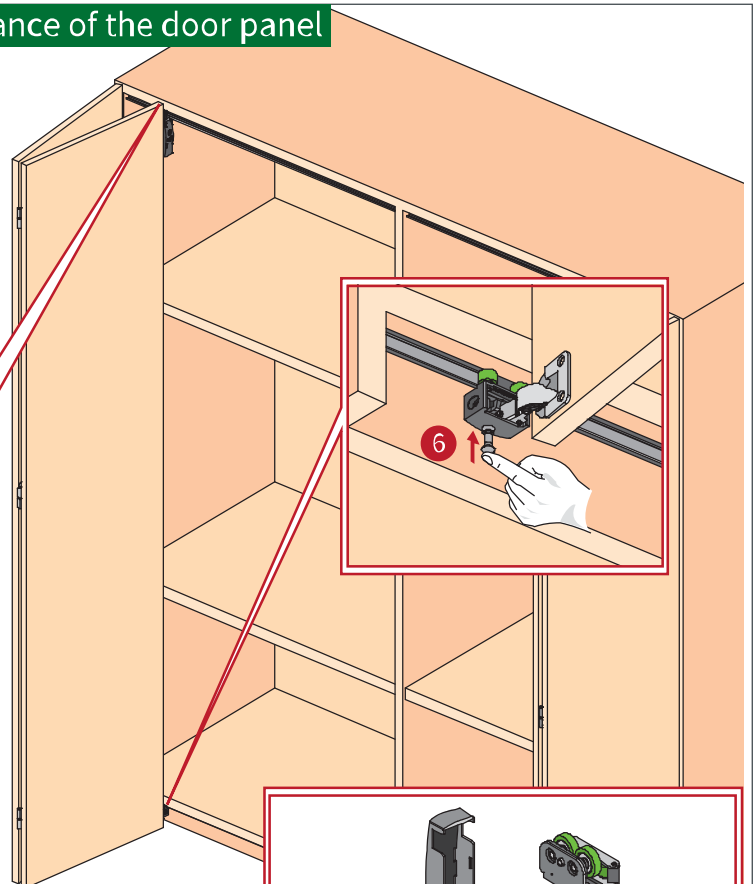
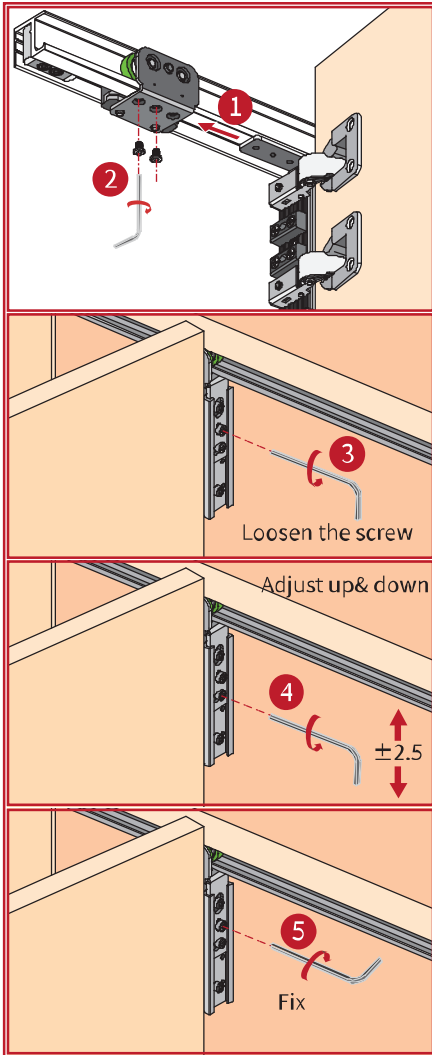
3 Install door panel fittings



4-1 Install door panel



4-2 Install door panel Adjust the balance of the door panel



Adjust of under roller in a similar way

5 Location stopper

