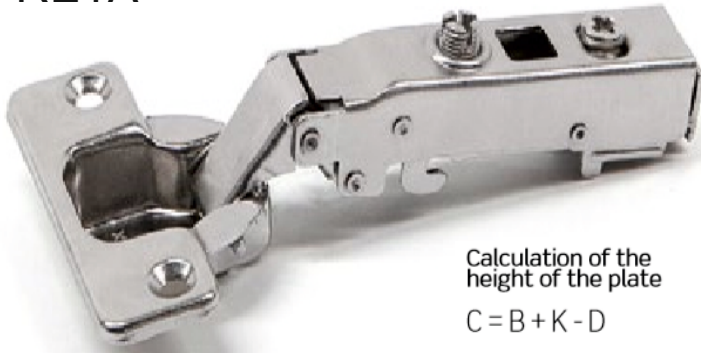


Dobradiças c/Smove Ø35 Clipe Abertura 110°

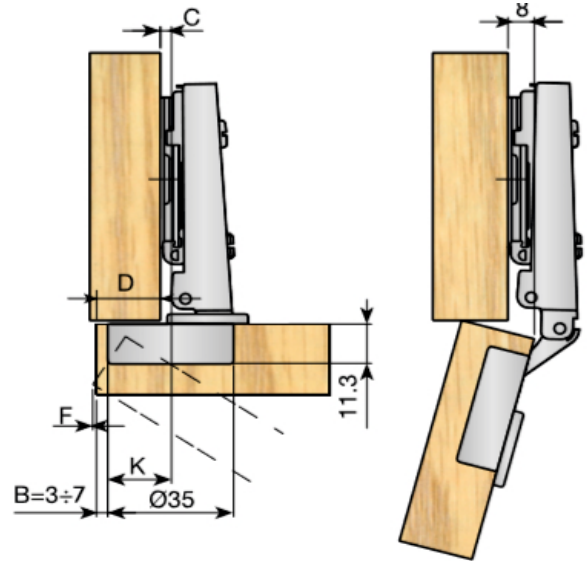
RETA



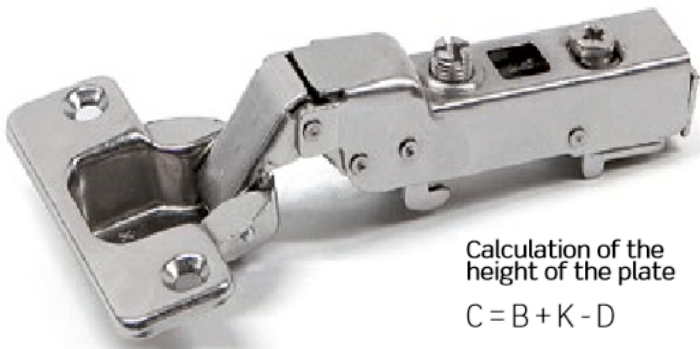
Calculation of the height of the plate

$$C = B + K - D$$

K = Constant = 12,5mm



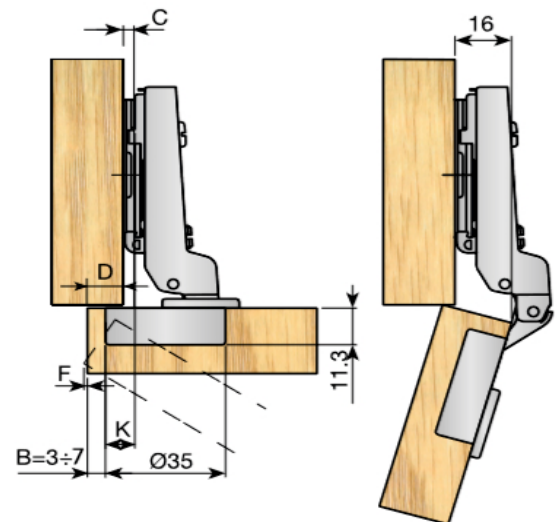
MEIA CURVA



Calculation of the height of the plate

$$C = B + K - D$$

K = Constant = 4,5mm



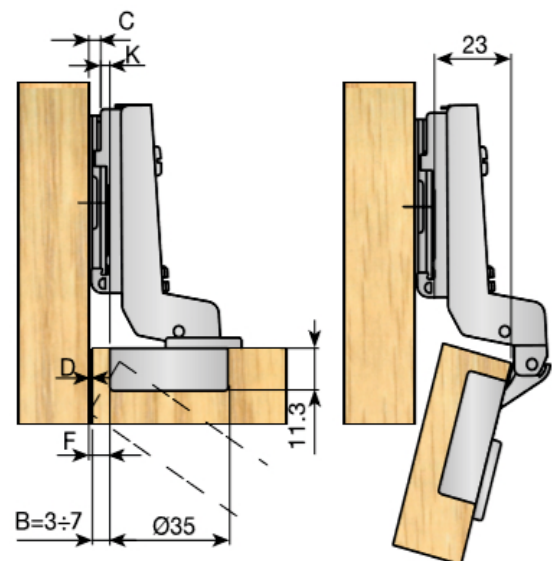
CURVA TOTAL



Calculation of the height of the plate

$$C = B + K + D$$

K = Constant = -4,5mm



Dobradiças c/Smove Ø35 Clipe Abertura 110°

Dobradiça Reta c/smove

ID0256 - 319010064

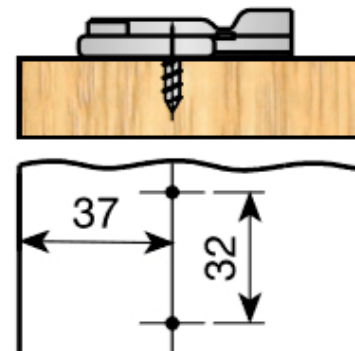
Dobradiça Meia Curva c/smove

ID0257 - 319011066

Dobradiça Curva Total c/smove

ID0258 - 319012061

Calço Dobradiça c/Smove Clipe



Calço p/dobradiças c/smove

ID0259 - 353050062