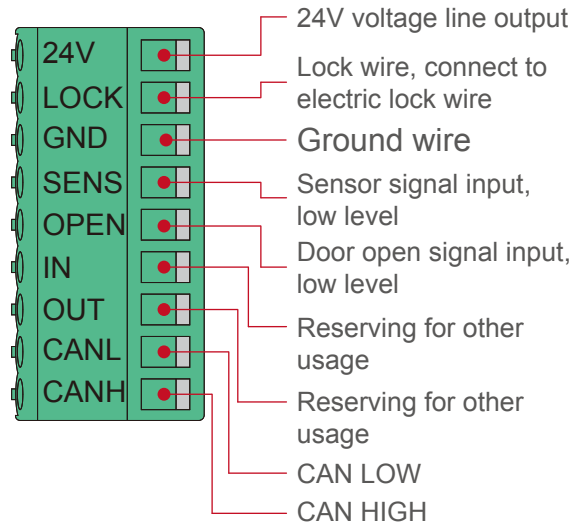




# Cable connecting instruction of the control port

## Function



## Wiring connection

