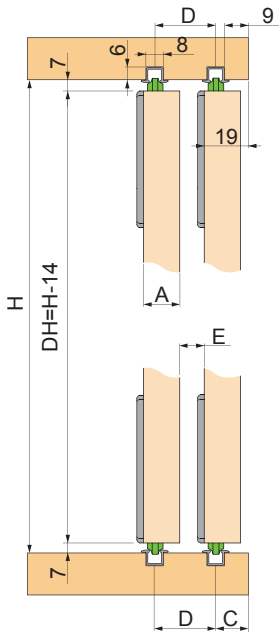
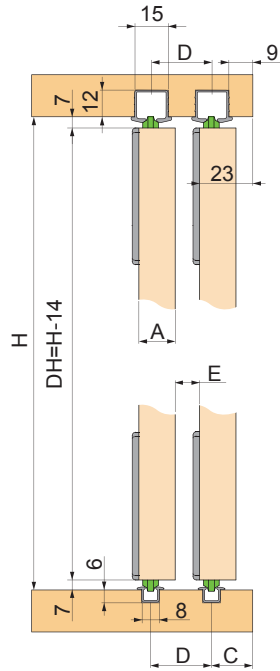


Keine Dämpfung  
No damping



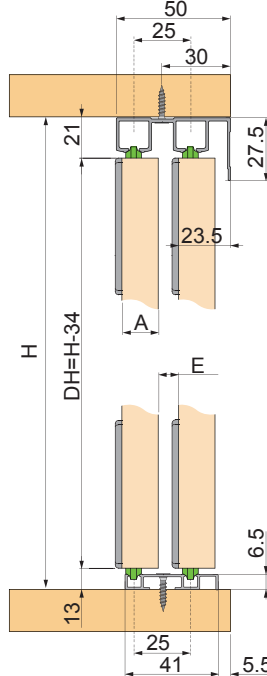
	A (16mm)	A (18mm)	A (19mm)
C	13mm	13mm	13mm
D	22mm	24mm	25mm
E	6mm	6mm	6mm

Beidseitige Dämpfung  
Both sides damping



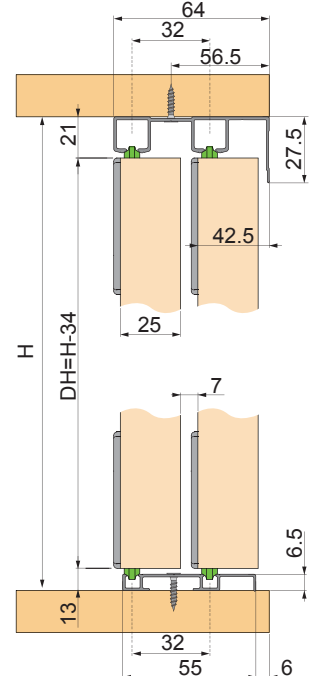
	A (16mm)	A (18mm)	A (19mm)
C	16.5mm	16.5mm	16.5mm
D	22mm	24mm	25mm
E	6mm	6mm	6mm

Beidseitige Dämpfung  
Both sides damping

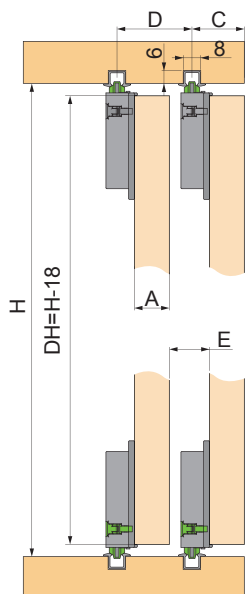


	A (16mm)	A (18mm)	A (19mm)
E	9mm	7mm	6mm

Beidseitige Dämpfung  
Both sides damping

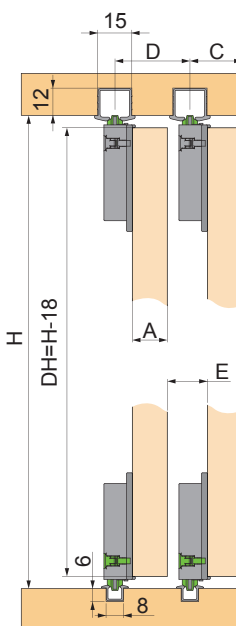


Keine Dämpfung  
No damping

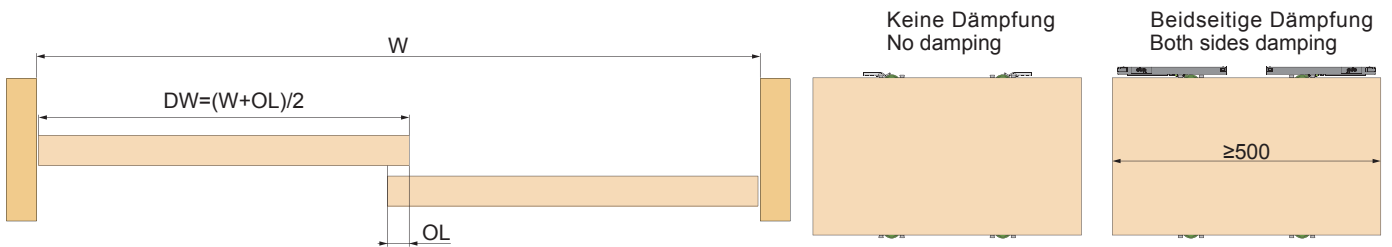


	A (16mm)	A (18mm)	A (19mm)
C	25mm	27mm	28mm
D	34mm	36mm	37mm
E	18mm	18mm	18mm

Beidseitige Dämpfung  
Both sides damping

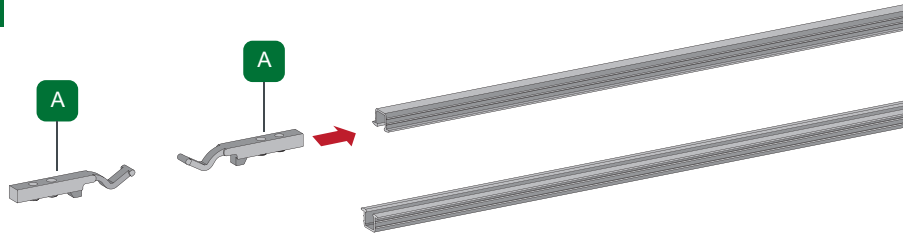


	A (16mm)	A (18mm)	A (19mm)
C	25mm	27mm	28mm
D	34mm	36mm	37mm
E	18mm	18mm	18mm

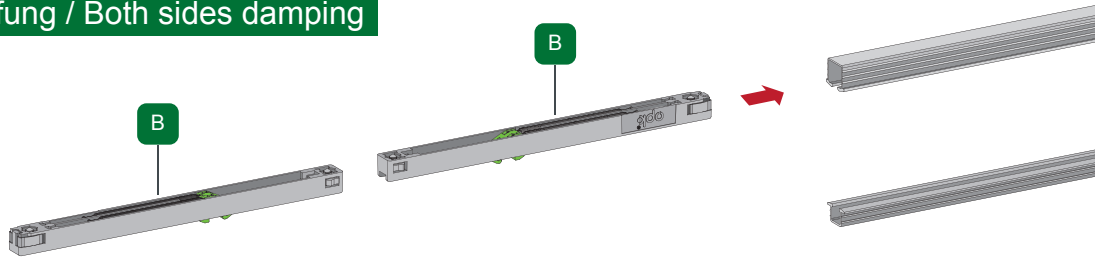


1

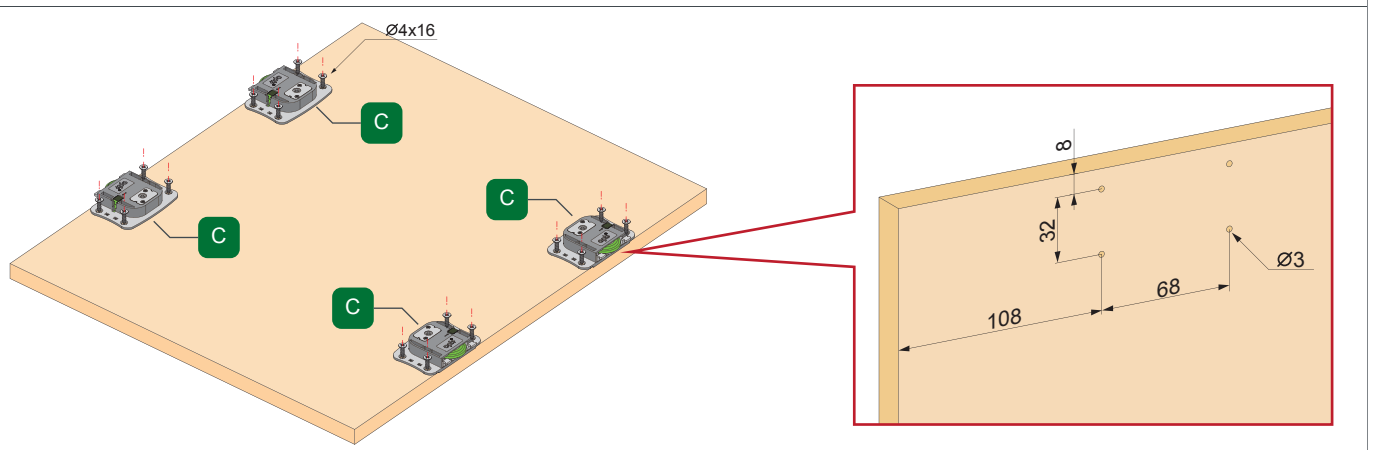
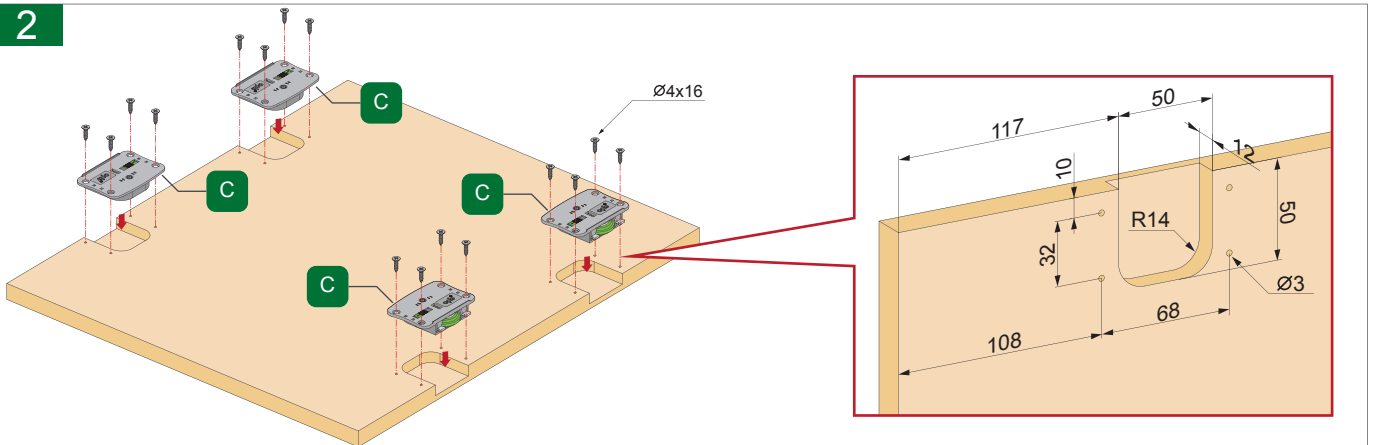
Keine Dämpfung / No damping



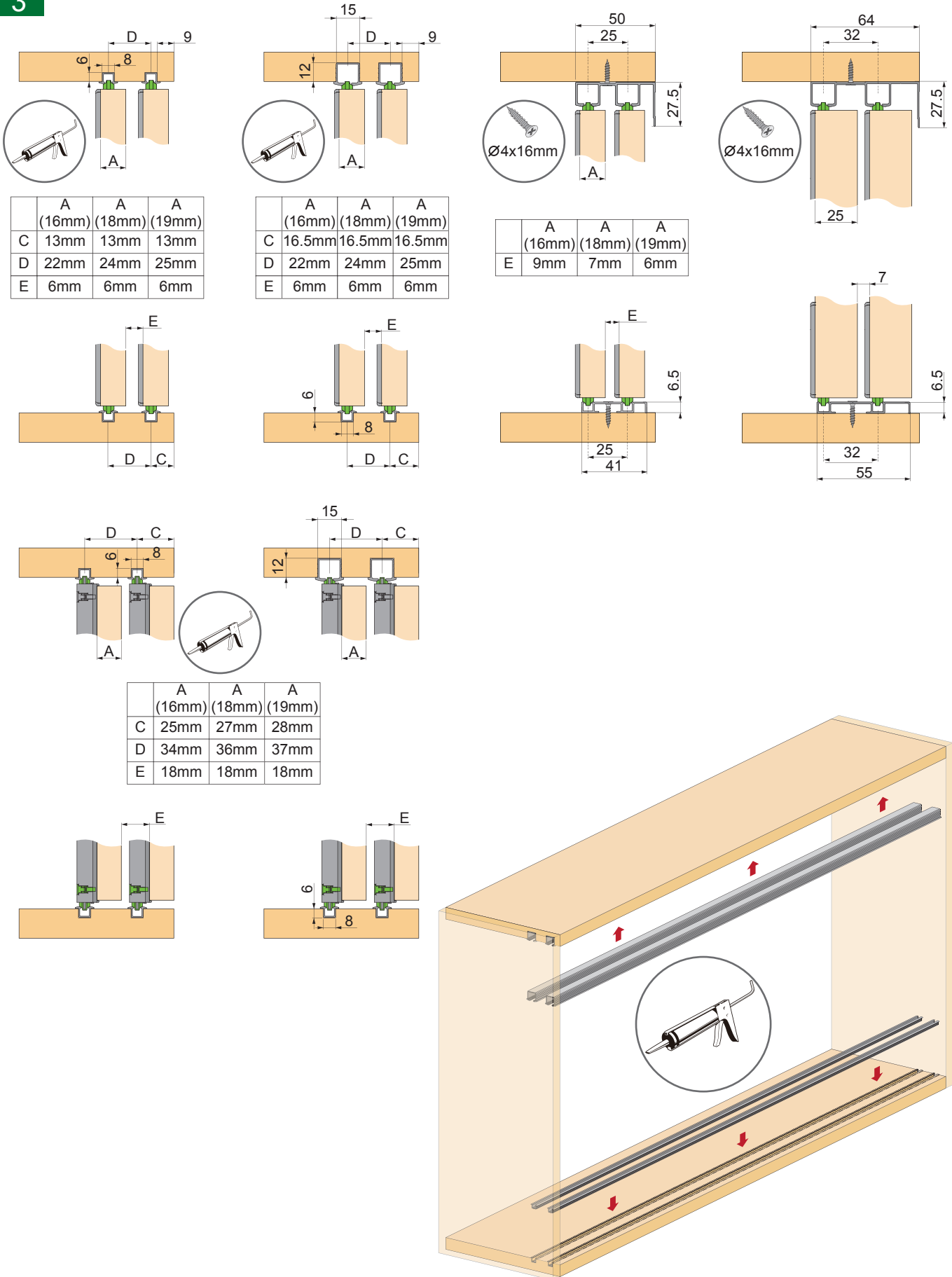
Beidseitige Dämpfung / Both sides damping



2



3



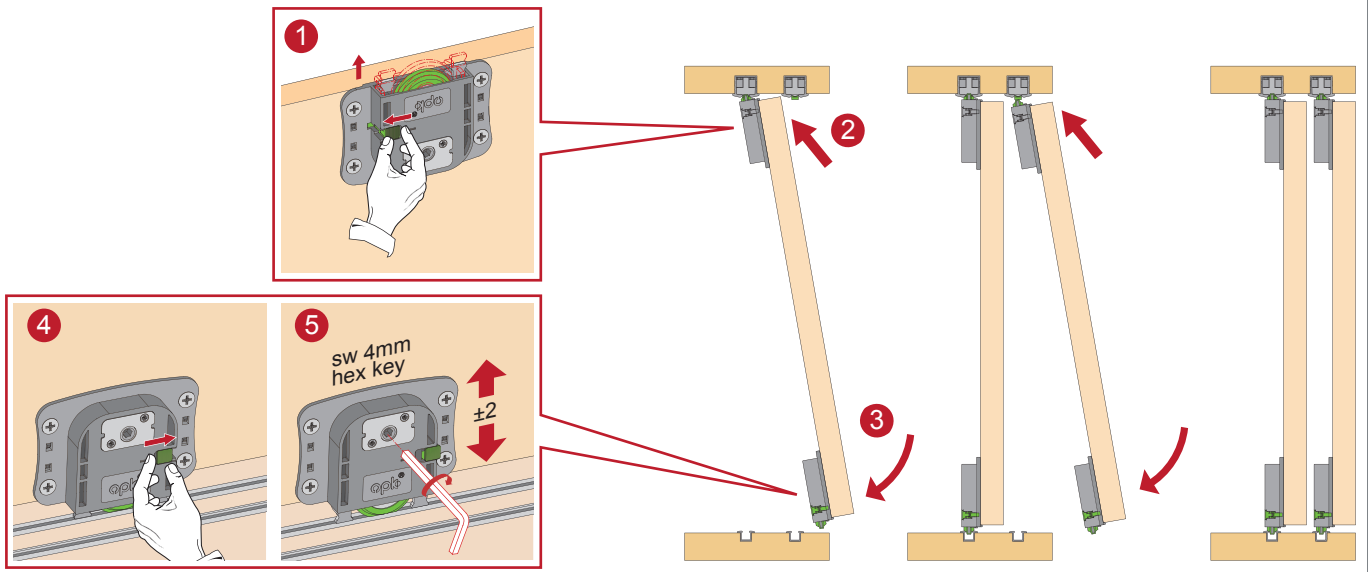
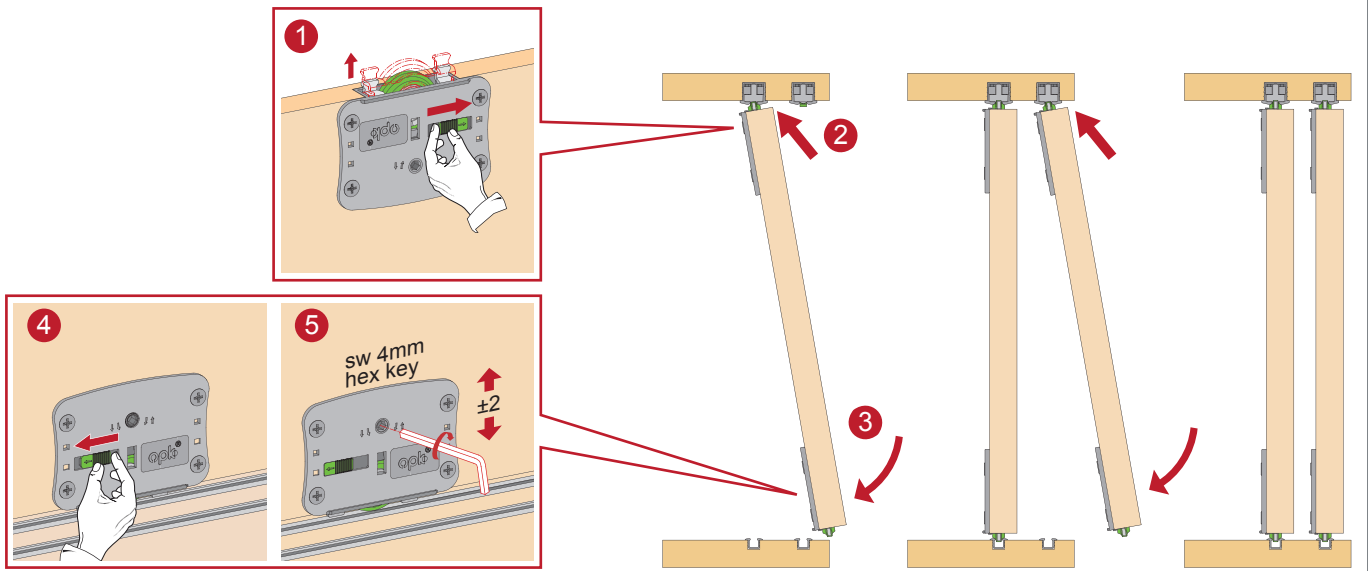
	A (16mm)	A (18mm)	A (19mm)
C	13mm	13mm	13mm
D	22mm	24mm	25mm
E	6mm	6mm	6mm

	A (16mm)	A (18mm)	A (19mm)
C	16.5mm	16.5mm	16.5mm
D	22mm	24mm	25mm
E	6mm	6mm	6mm

	A (16mm)	A (18mm)	A (19mm)
E	9mm	7mm	6mm

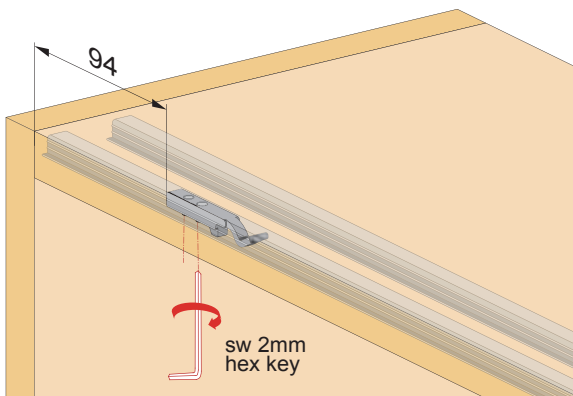
	A (16mm)	A (18mm)	A (19mm)
C	25mm	27mm	28mm
D	34mm	36mm	37mm
E	18mm	18mm	18mm

4



5

Keine Dämpfung / No damping



Beidseitige Dämpfung / Both sides damping

