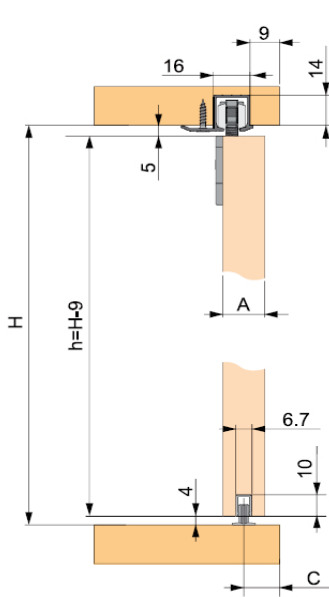
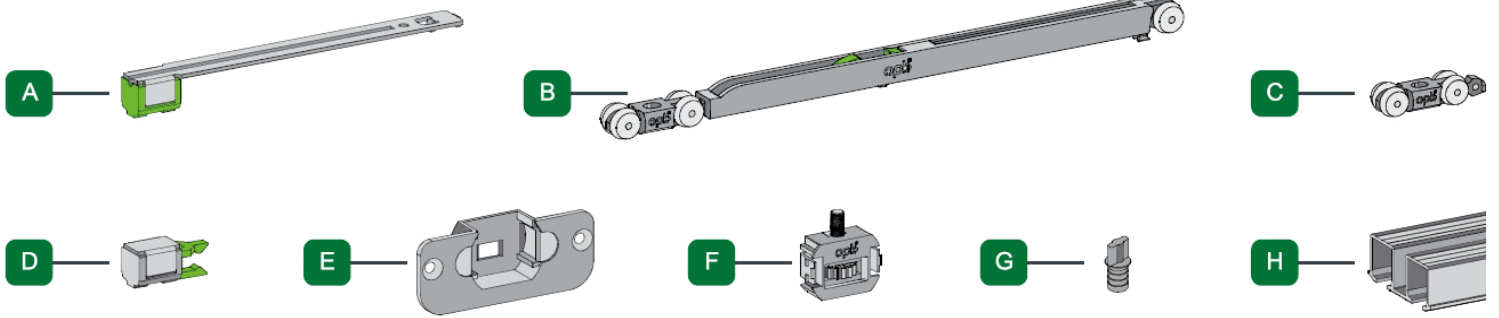
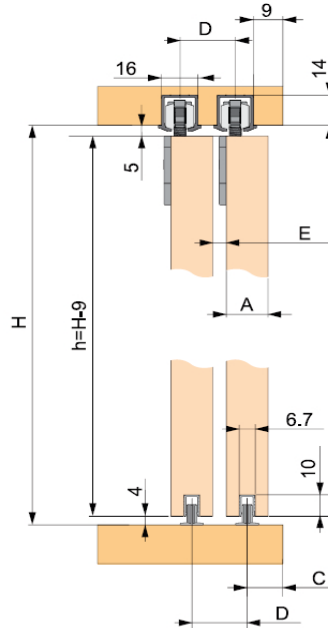


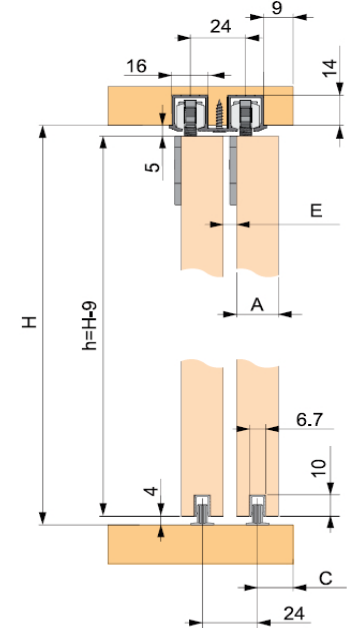
## Instruções de Instalação



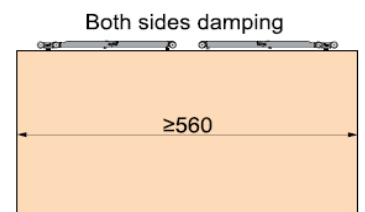
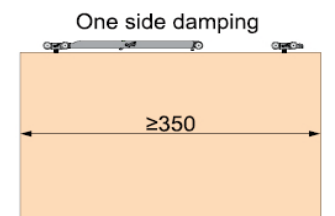
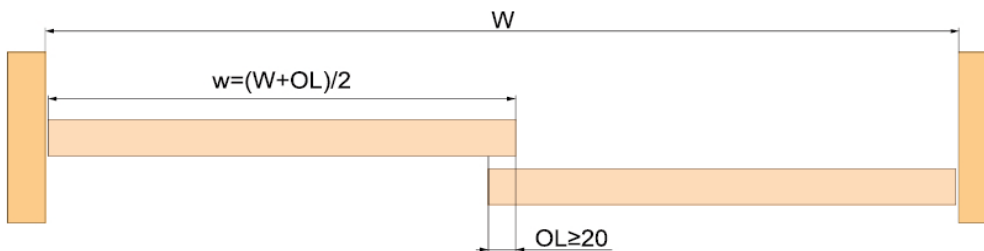
	A (16mm)	A (18mm)	A (19mm)
C	13mm	12mm	11.5mm



	A (16mm)	A (18mm)	A (19mm)
C	13mm	12mm	11.5mm
D	22mm	24mm	25mm
E	6mm	6mm	6mm

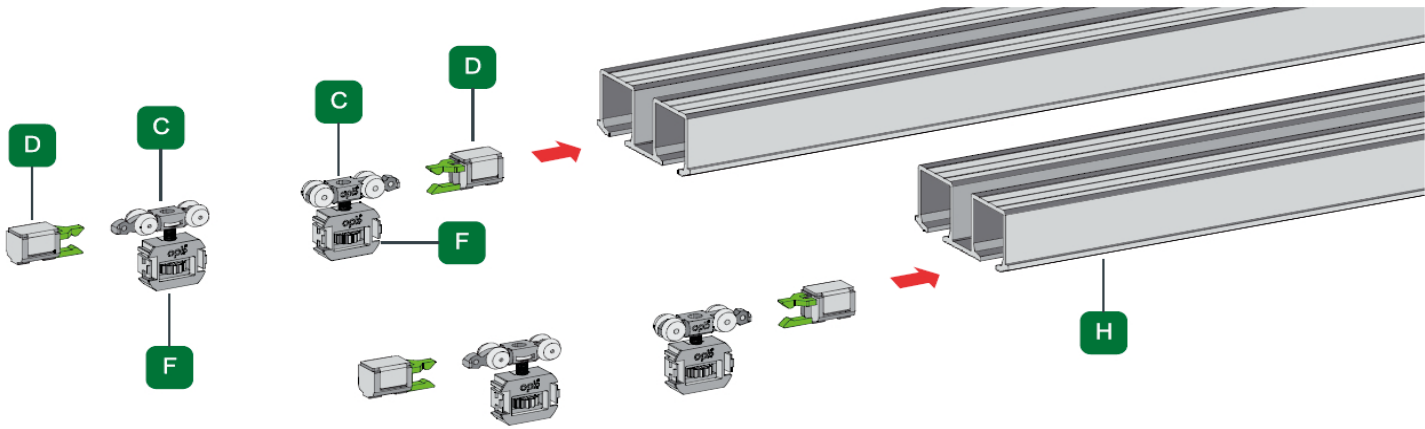


	A (16mm)	A (18mm)
C	13mm	12mm
E	8mm	6mm

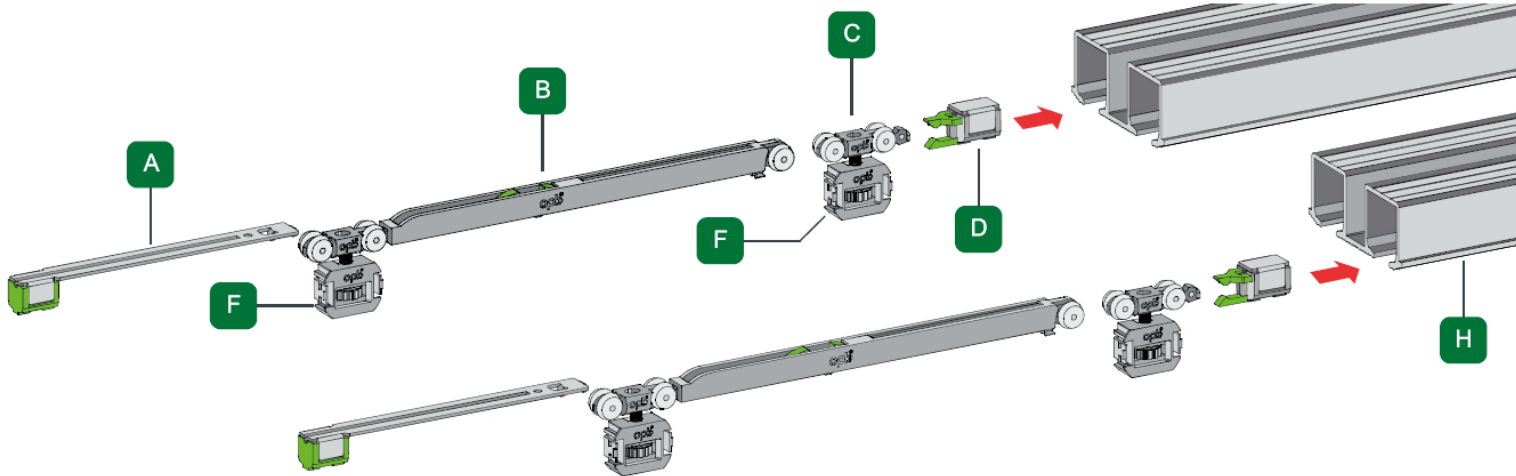


1

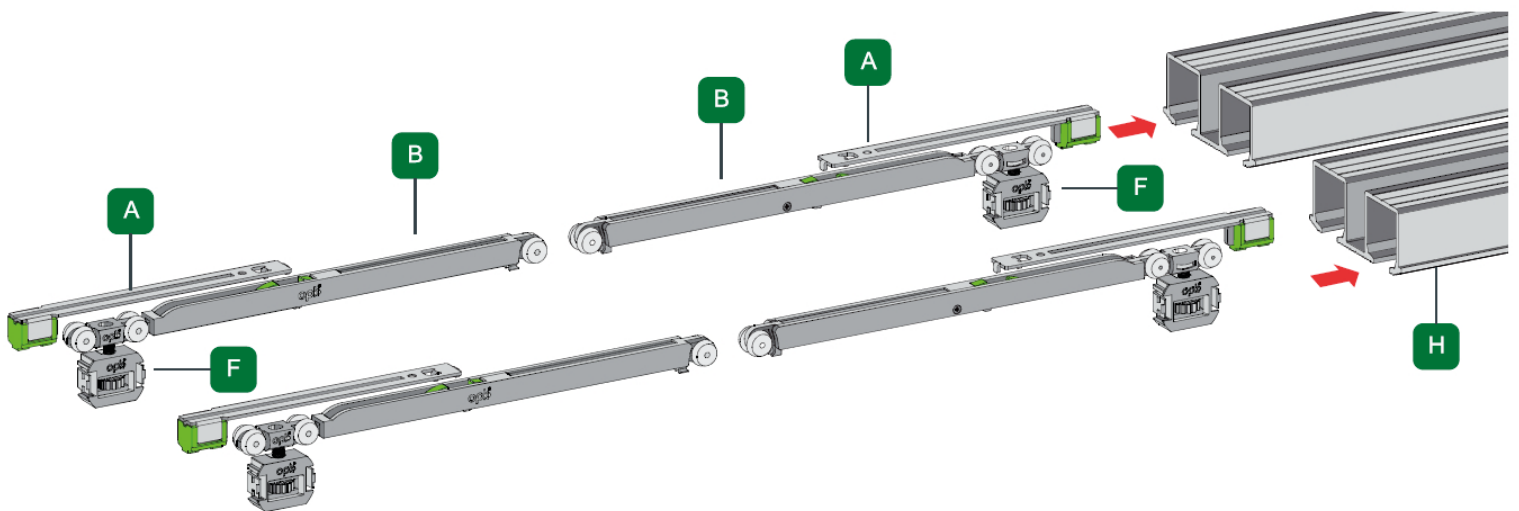
No damping



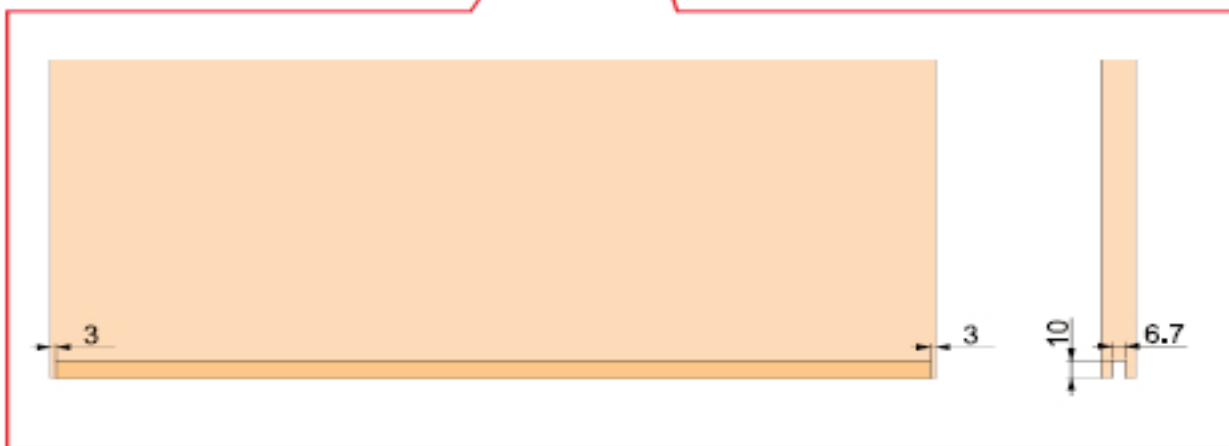
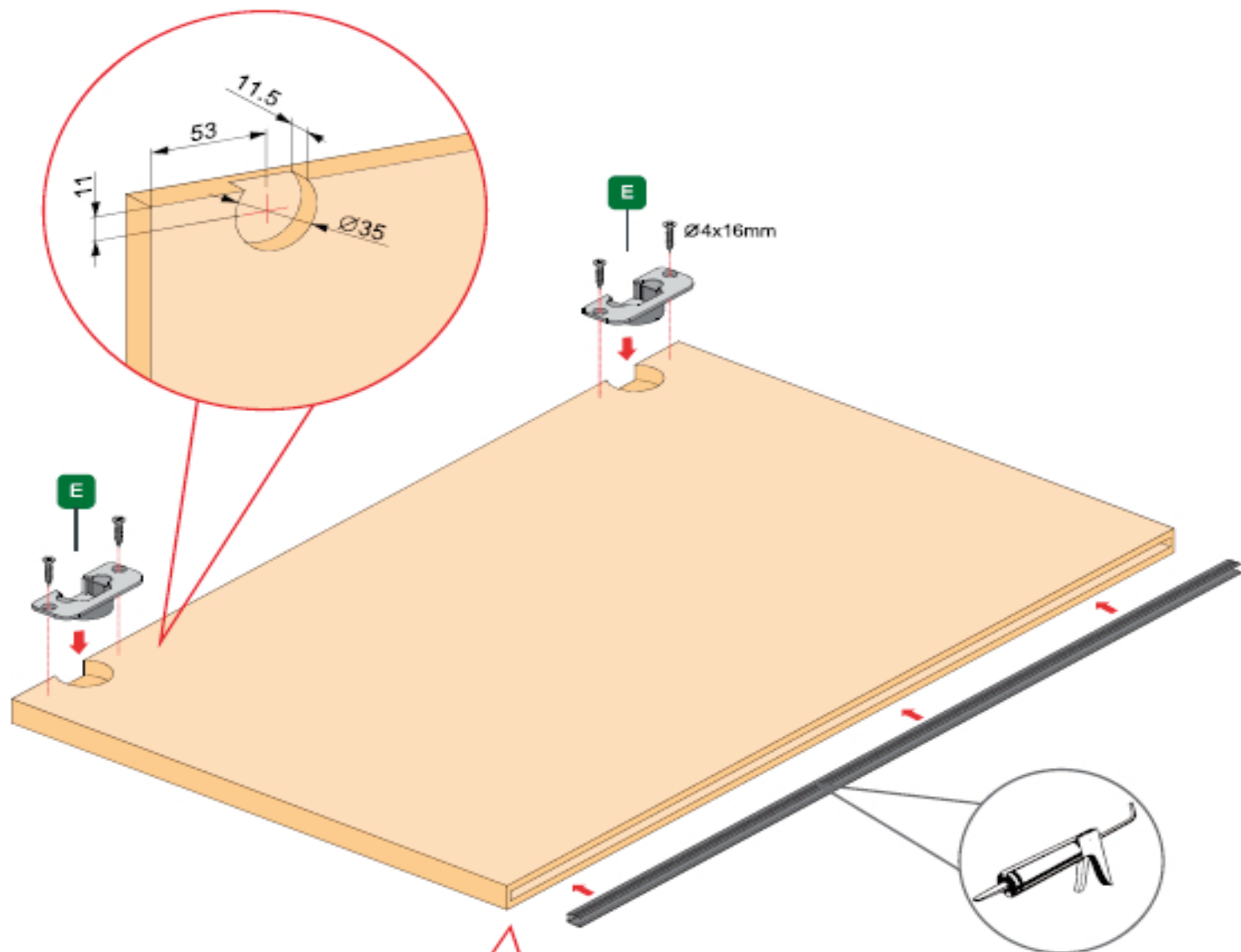
One side damping



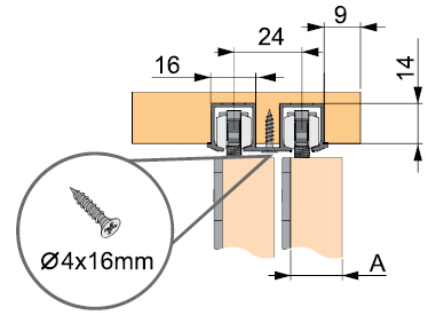
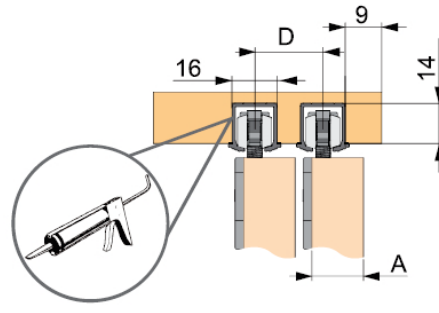
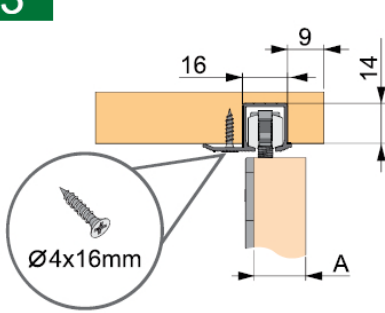
Both sides damping



2



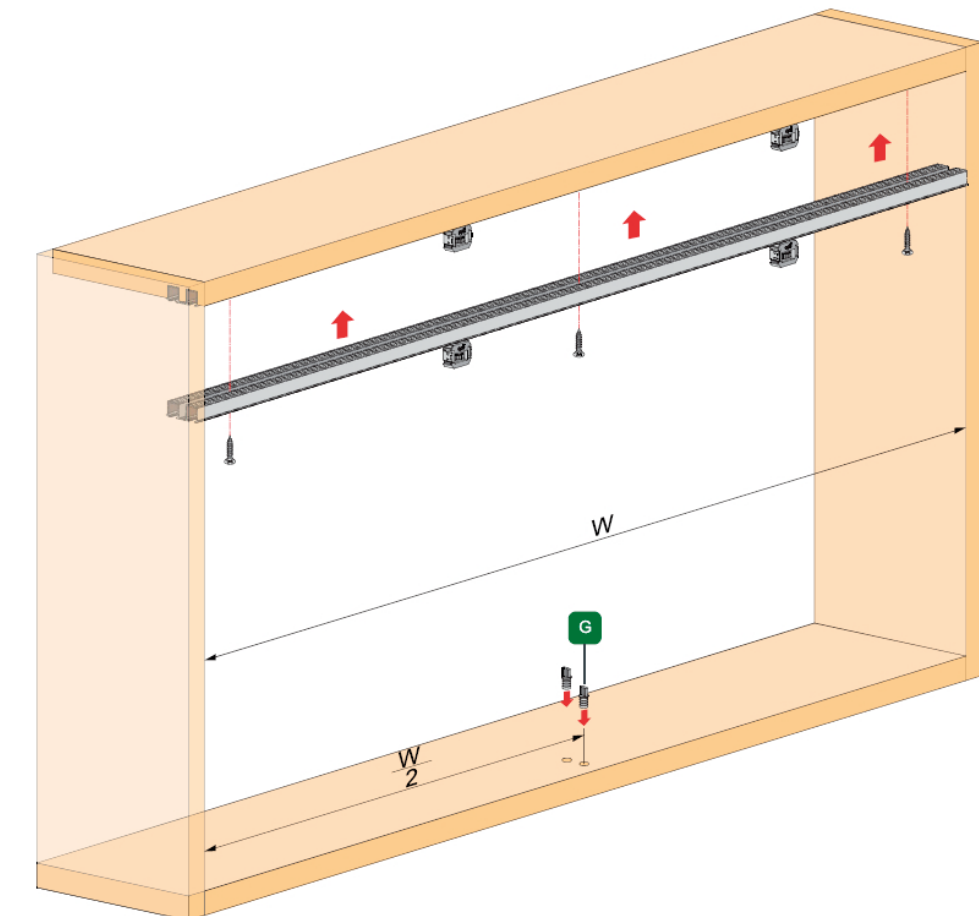
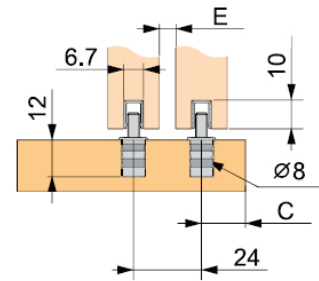
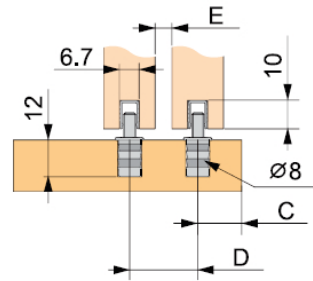
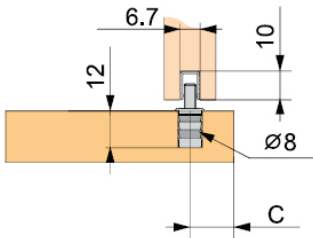
3



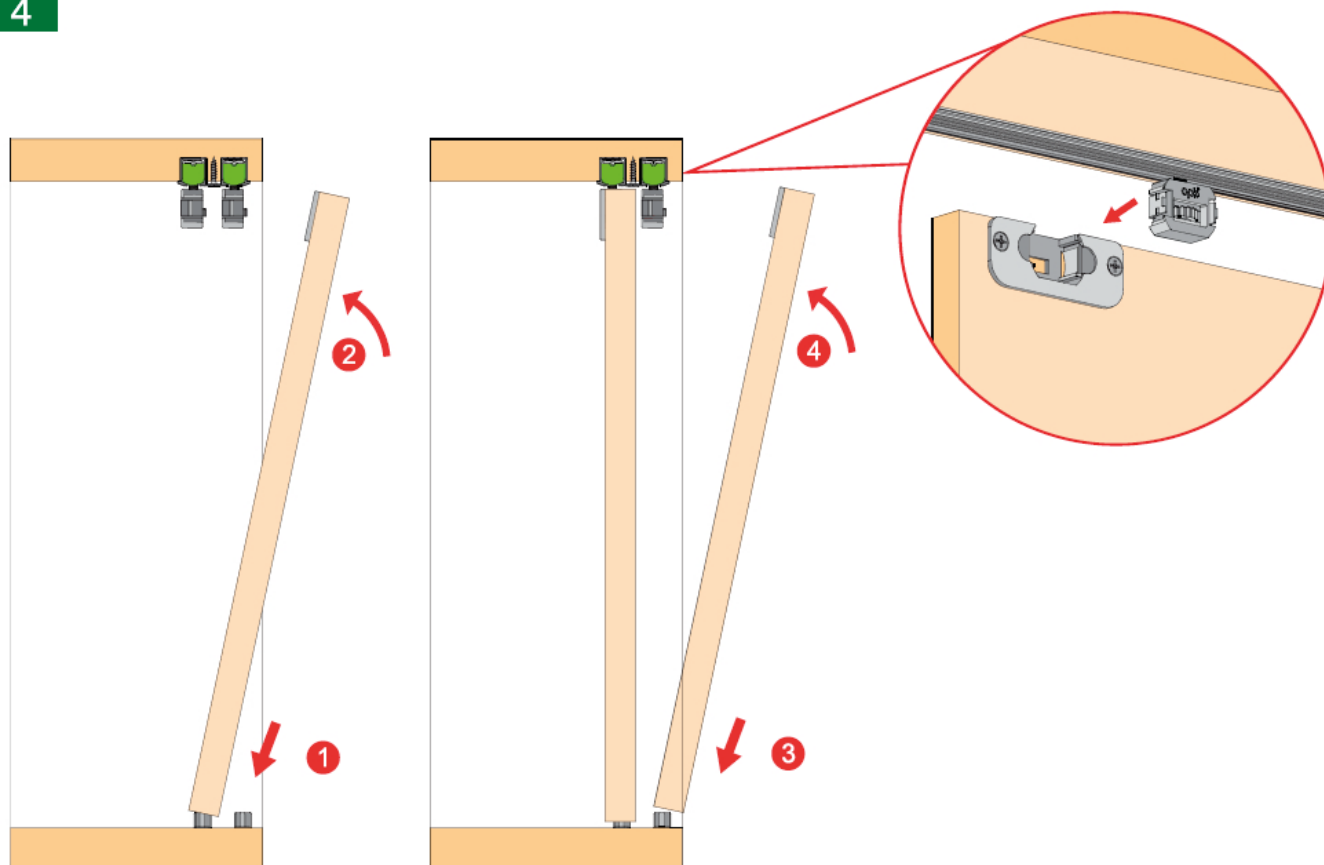
	A (16mm)	A (18mm)	A (19mm)
C	13mm	12mm	11.5mm

	A (16mm)	A (18mm)	A (19mm)
C	13mm	12mm	11.5mm
D	22mm	24mm	25mm
E	6mm	6mm	6mm

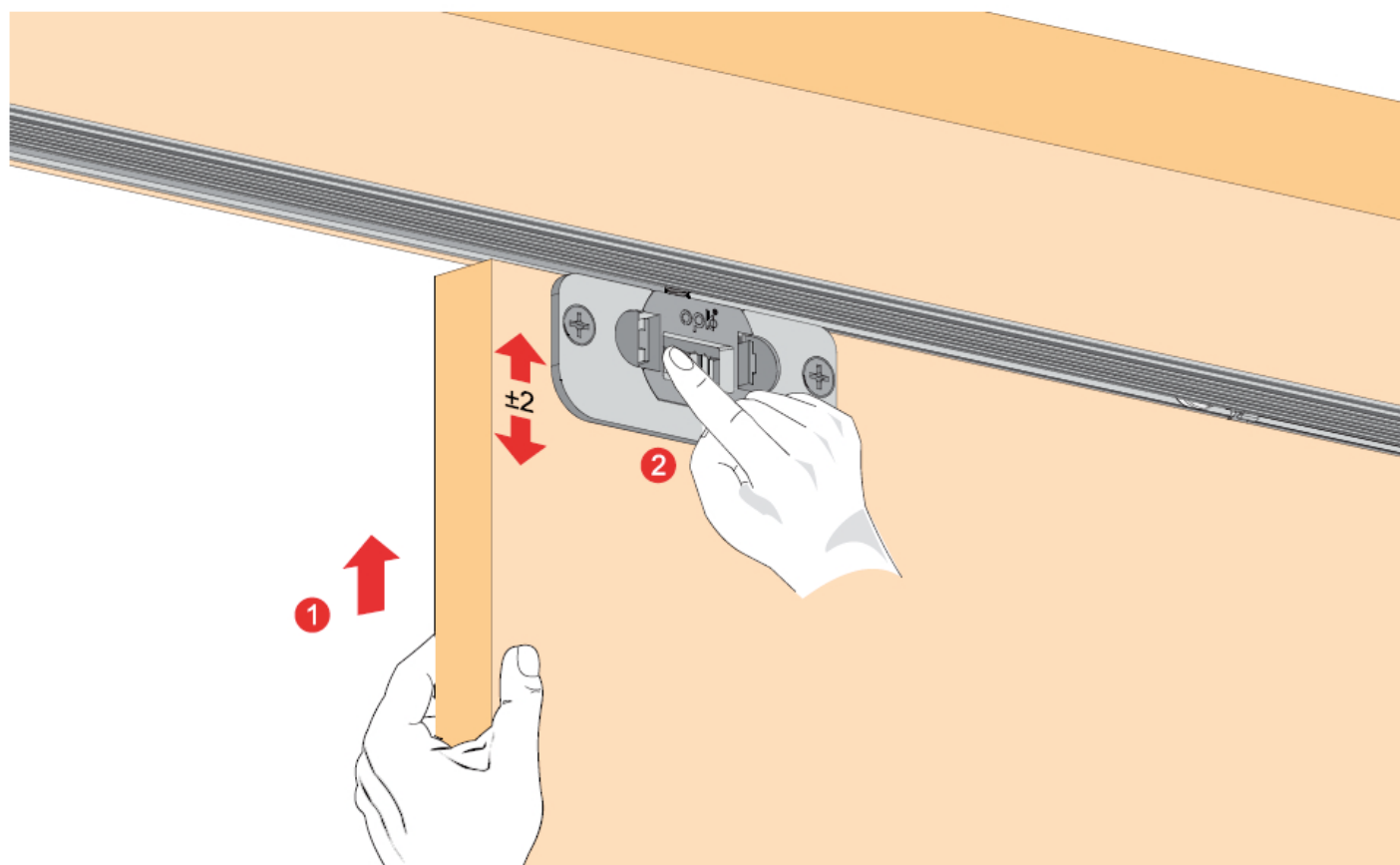
	A (16mm)	A (18mm)
C	13mm	12mm
E	8mm	6mm



4



5



6

